

CASH MACHINE COMPANY

PARTS CATALOGUE FOR THE

SPEEDTWIN 2

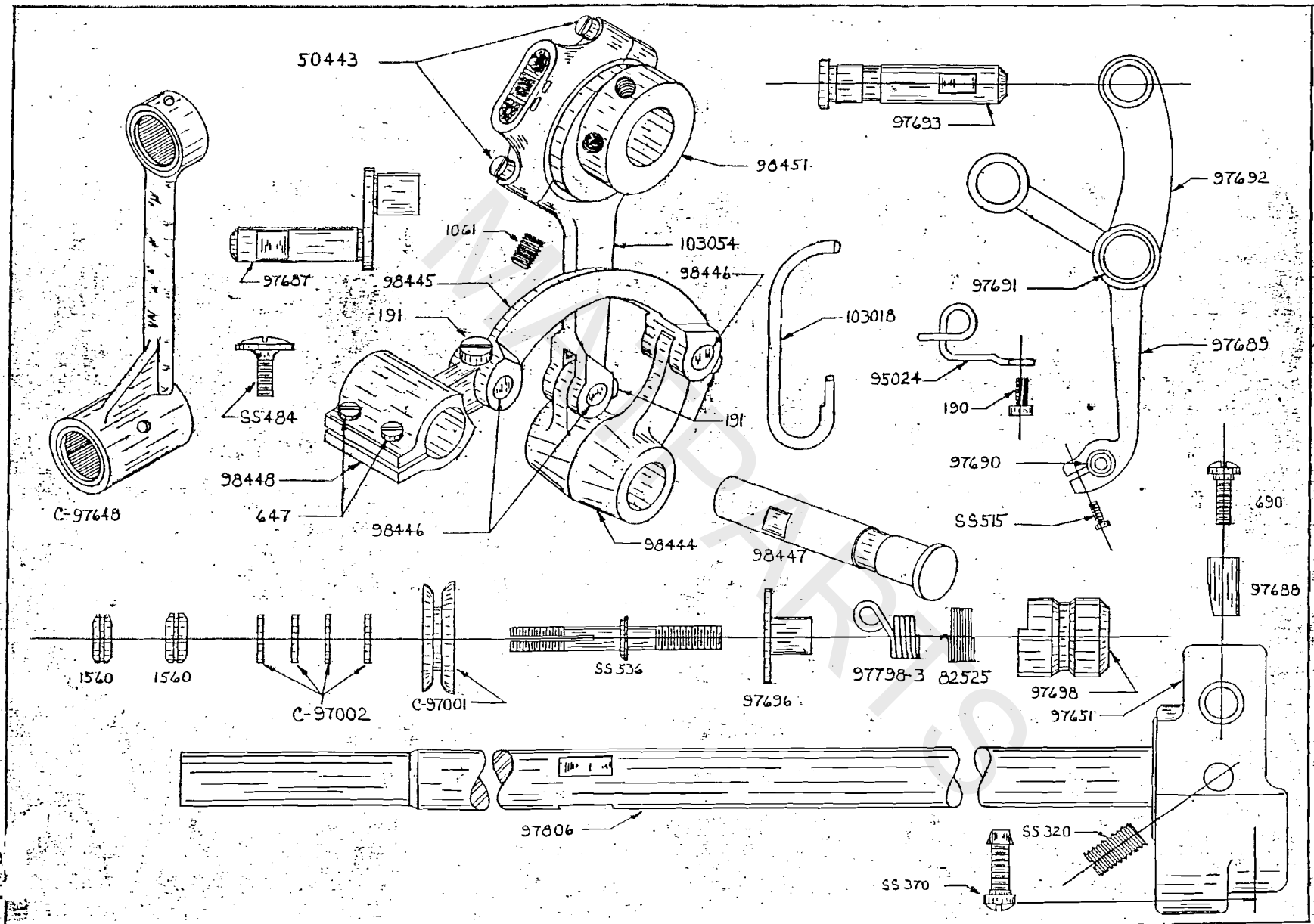
QUILTER MODEL 43AV-2



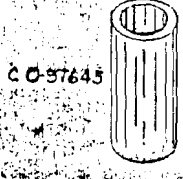
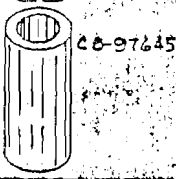
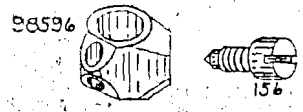
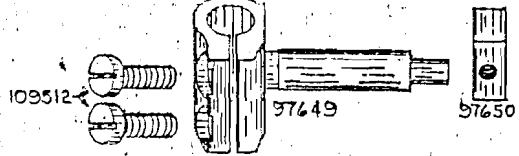
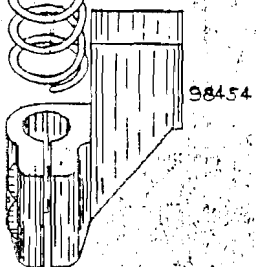
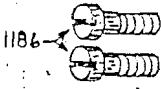
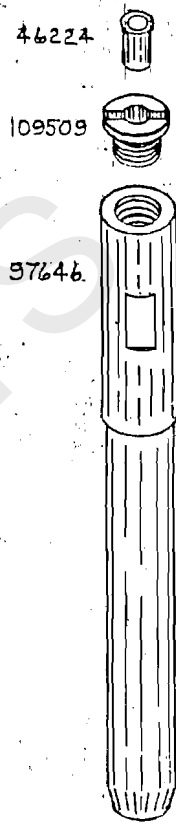
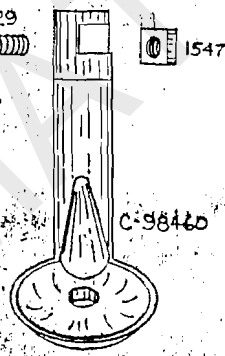
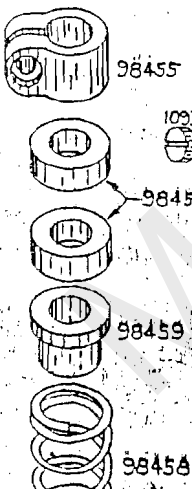
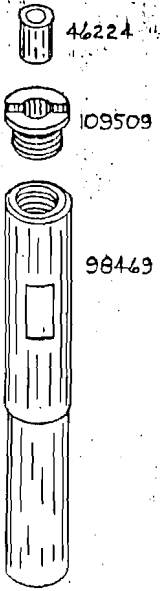
FOR THOSE WHO DEMAND THE BEST

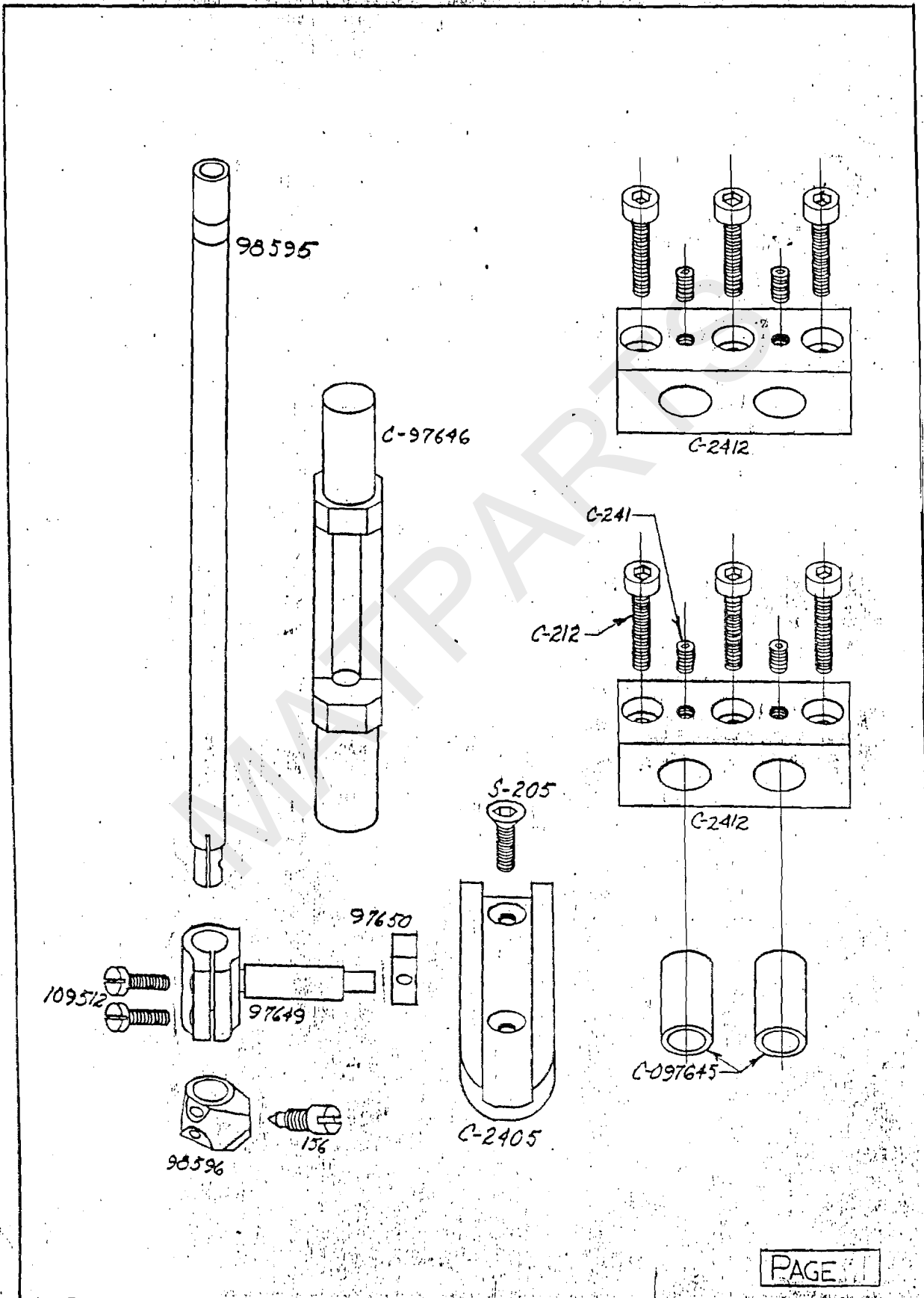
100 OUTER LOOP, LOUISVILLE, KY 40214

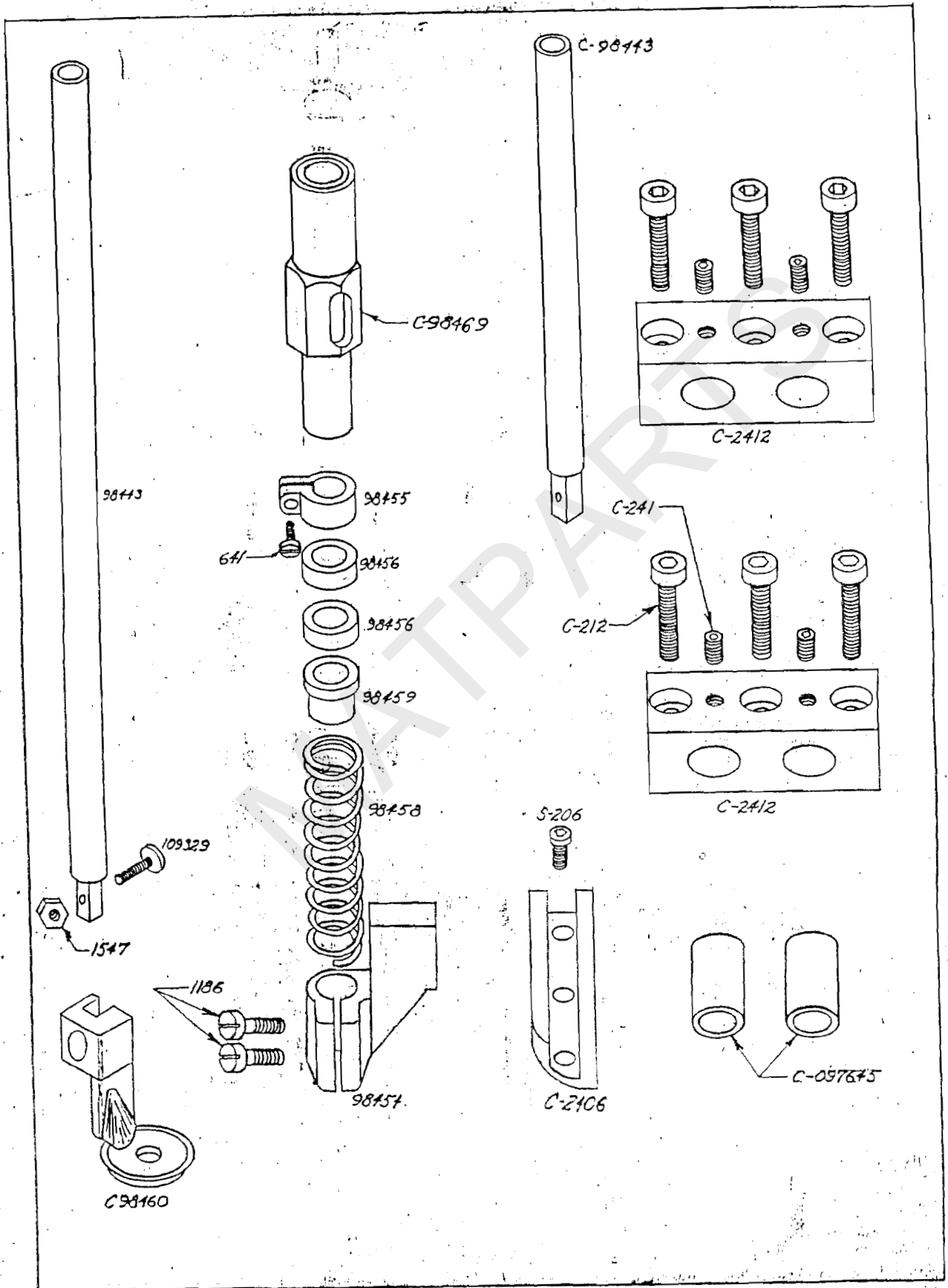
(502) 361-1726 FAX: (502) 361-4287



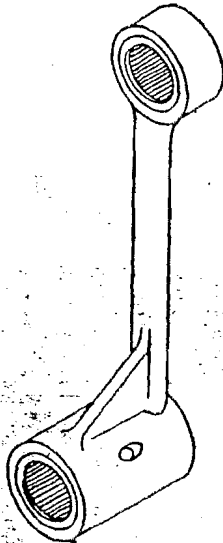
43AV-2



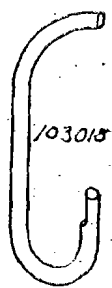




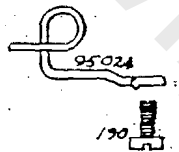
5



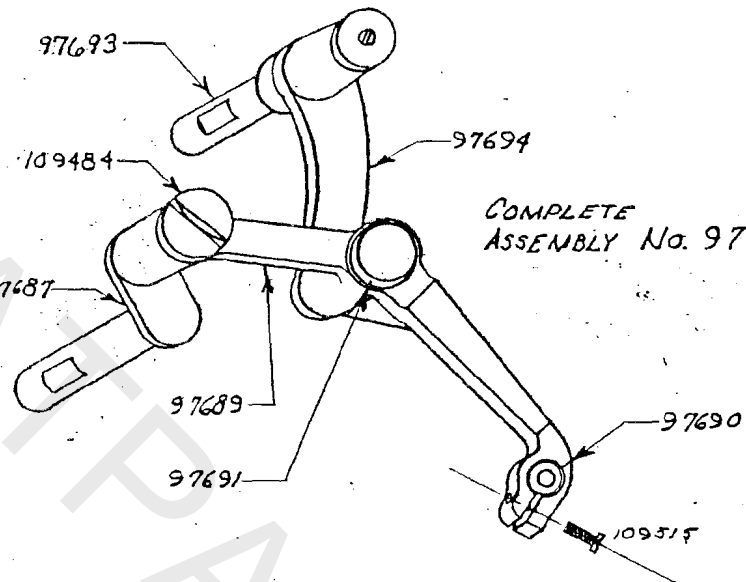
C-97648



103018

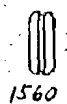


95024
190

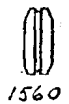


COMPLETE
ASSEMBLY No. 97694

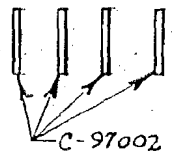
OS3B
394646



1560



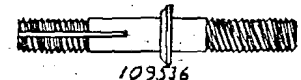
1560



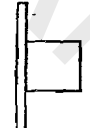
C-97002



C-97001



109536



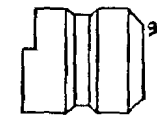
97696



97798-3



82525



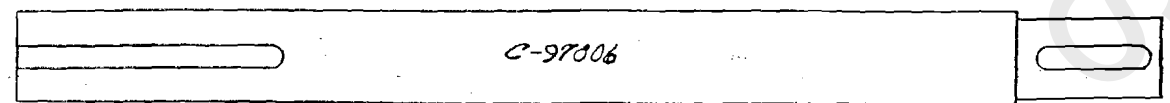
97698



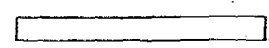
690



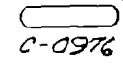
97688



C-97006



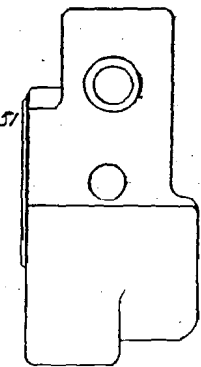
C-0978



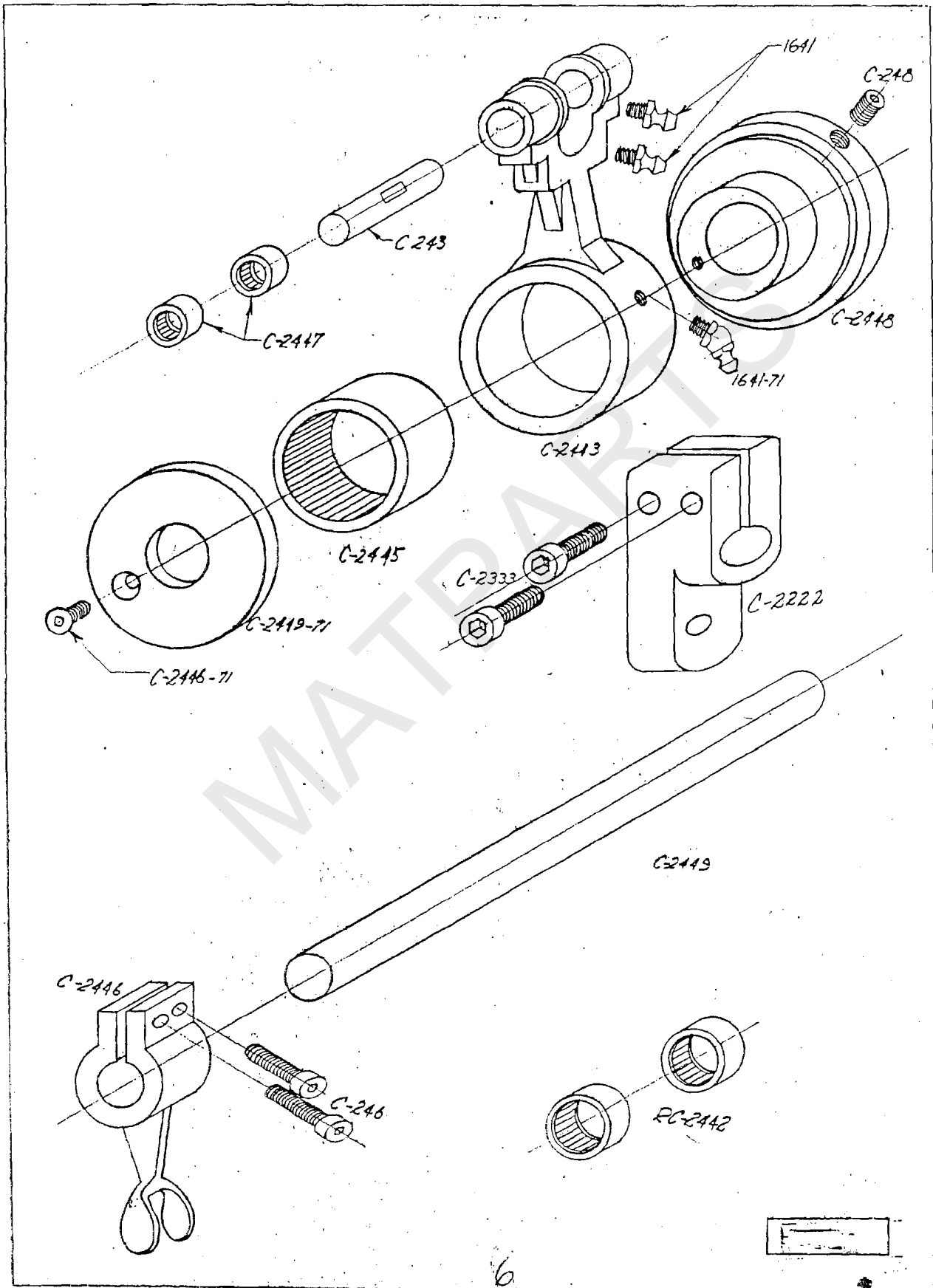
C-0976

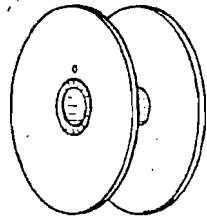


1560

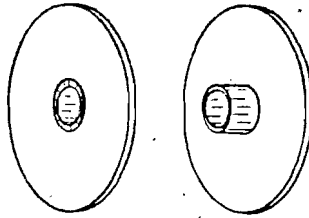


C-97651

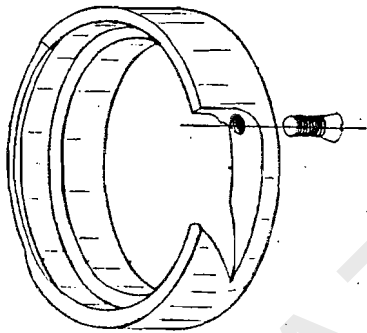




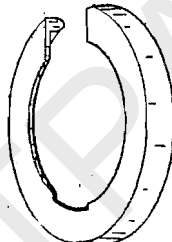
97949
SOLID TYPE



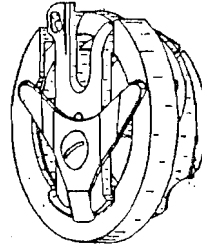
979490
SPLIT TYPE



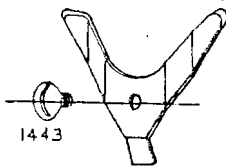
103109



103108

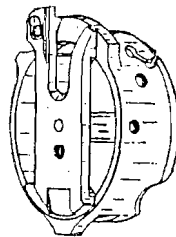


103121

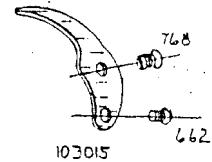


1443

C-103014



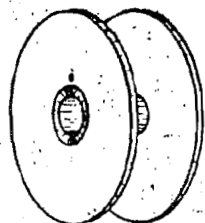
103104



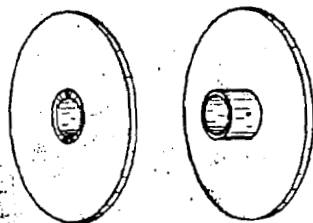
103015

768

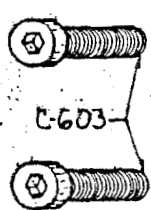
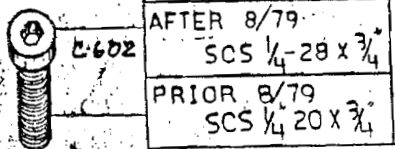
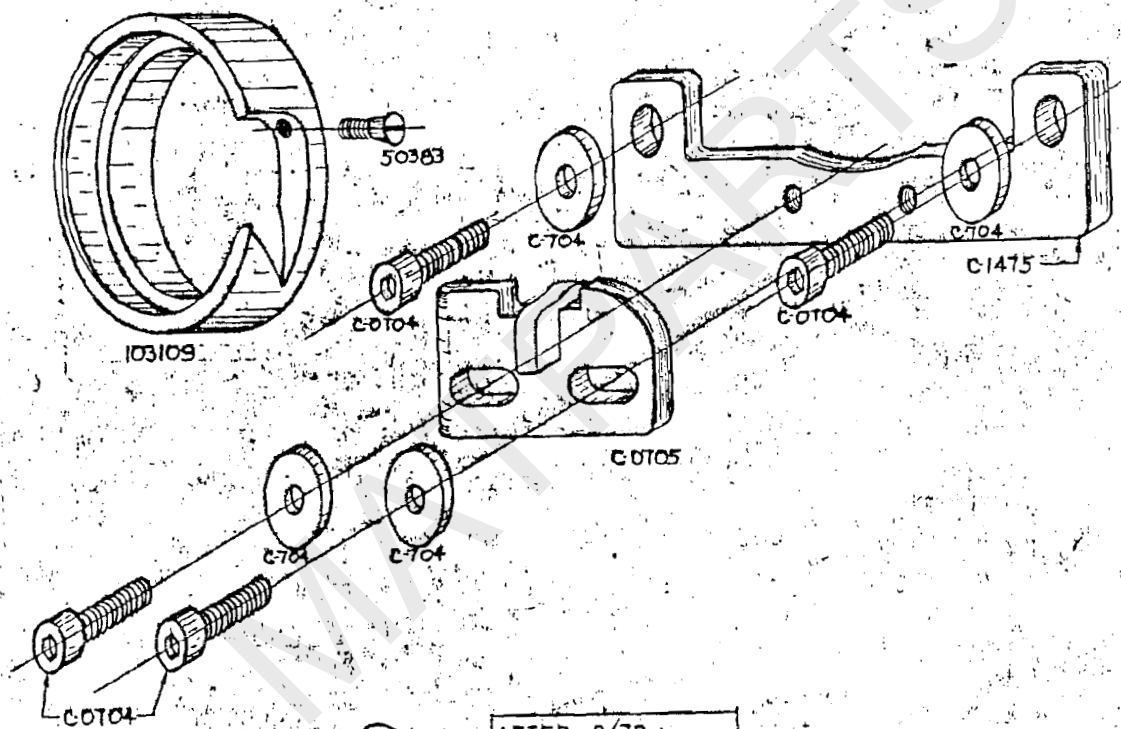
662



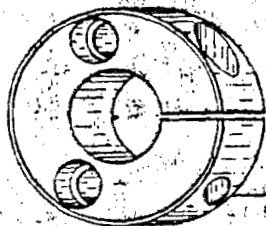
97949
SOLID TYPE BOBBIN



979490
SPLIT TYPE BOBBIN

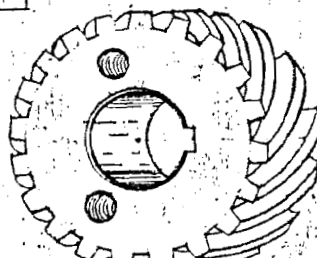


C-603



C-0603

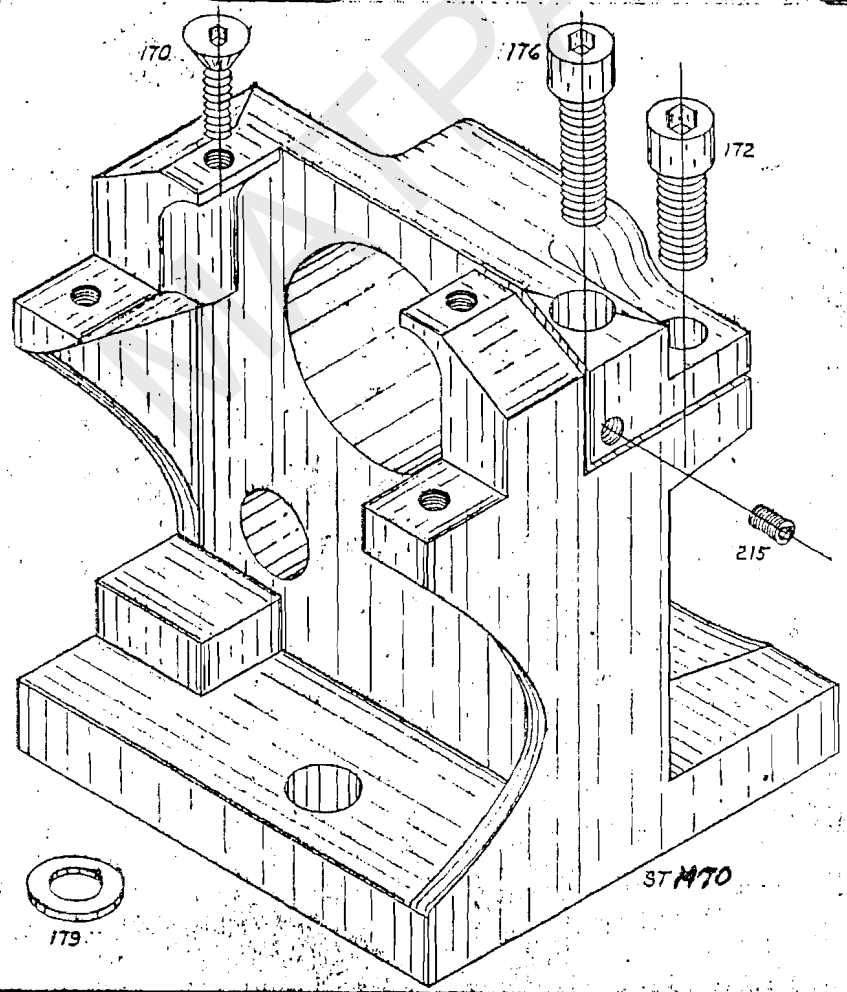
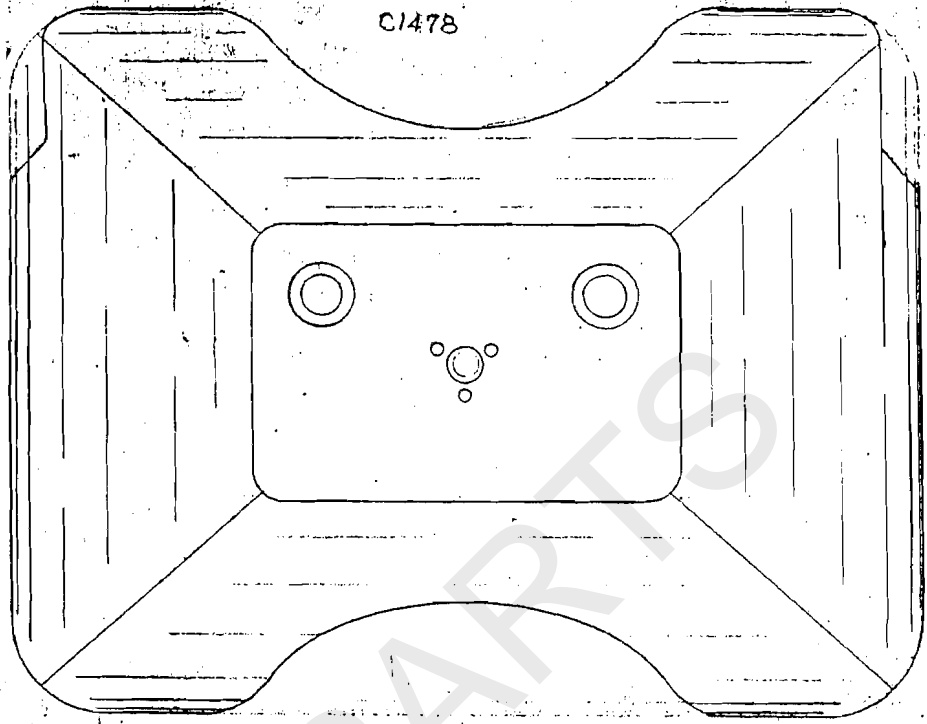
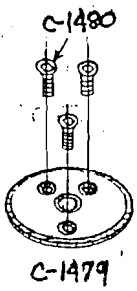
AFTER
8/79
MOD 12L



C-20-10

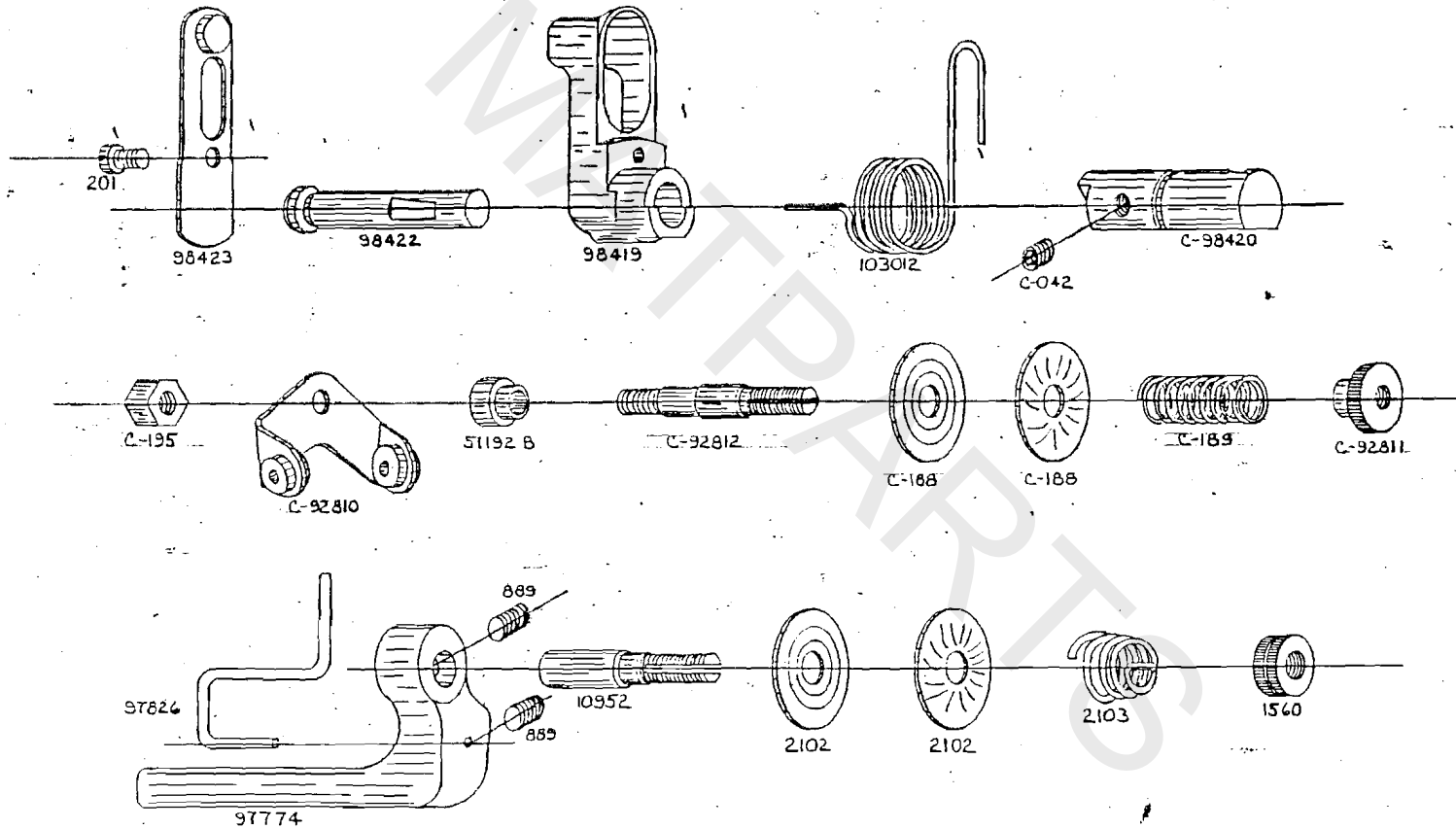
6

C1478

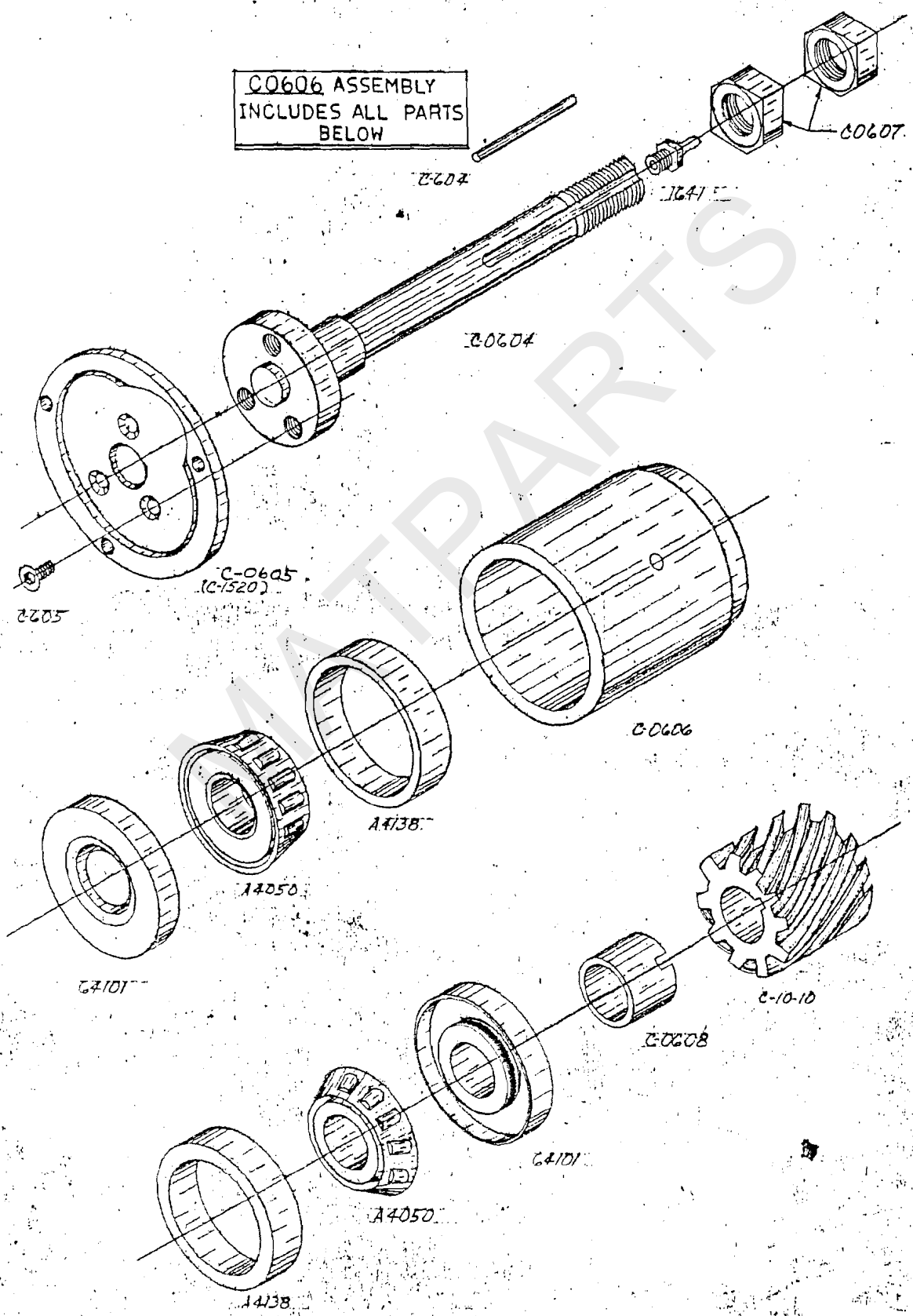


ST 1470

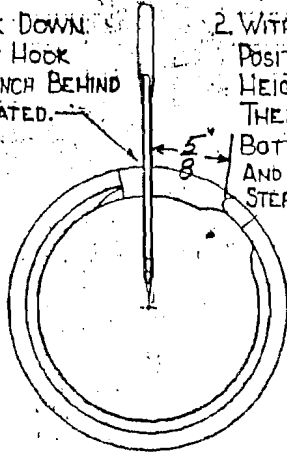
COMPLETE BOBBIN CASE
HOLDER ASSEMBLY PART NUMBER
C-1151S



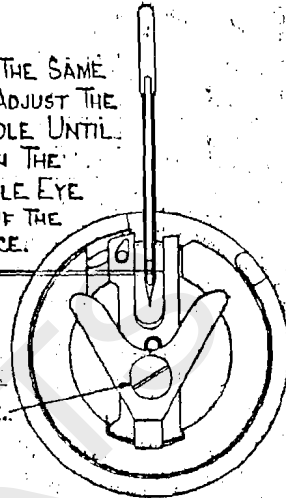
C0606 ASSEMBLY
INCLUDES ALL PARTS
BELOW



1. WHEN NEEDLE IS IN THE DOWN STROKE THE FRONT OF HOOK OPENING SHOULD BE $\frac{1}{8}$ INCH BEHIND THE NEEDLE AS ILLUSTRATED.

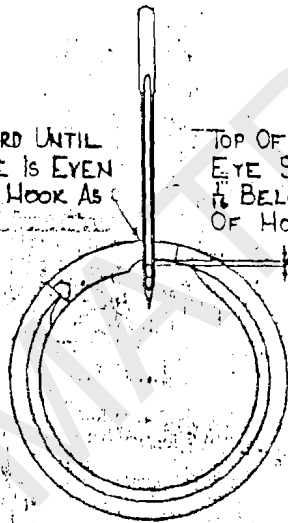


2. WITH THE NEEDLE IN THE SAME POSITION AS BEFORE ADJUST THE HEIGHT OF THE NEEDLE UNTIL THERE IS $\frac{1}{32}$ BETWEEN THE BOTTOM PART OF NEEDLE EYE AND THE BOTTOM PART OF THE STEP OF THE INNER RACE.



ALWAYS MAKE SURE SCREW IS IN THIS POSITION.

3. ROTATE HEAD FORWARD UNTIL LEFT SIDE OF NEEDLE IS EVEN WITH THE POINT OF HOOK AS ILLUSTRATED.

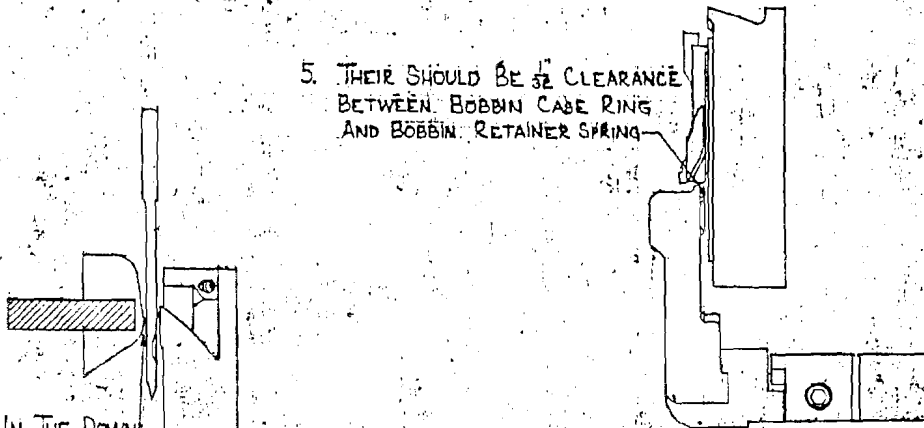


TOP OF NEEDLE EYE SHOULD BE $\frac{1}{16}$ BELOW POINT OF HOOK.

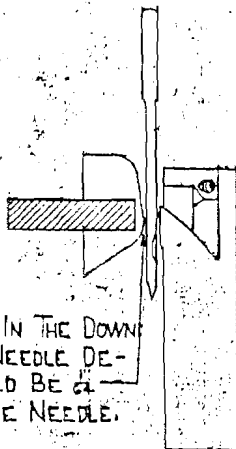
WITH NEEDLE IN SAME POSITION AS BEFORE THERE SHOULD BE NO CLEARANCE BETWEEN NEEDLE AND HOOK.

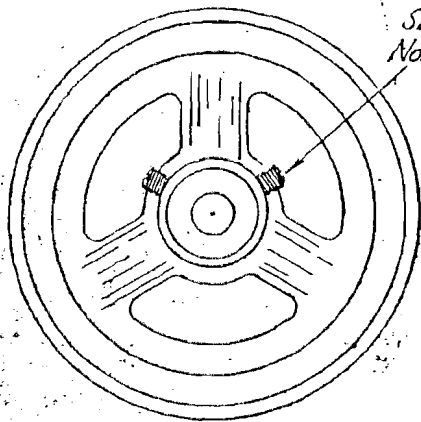


5. THERE SHOULD BE $\frac{1}{32}$ CLEARANCE BETWEEN BOBBIN CASE RING AND BOBBIN RETAINER SPRING.



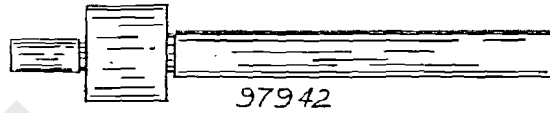
4. WITH NEEDLE IN THE DOWN STROKE THE NEEDLE DEFLECTOR SHOULD BE $\frac{1}{4}$ AWAY FROM THE NEEDLE.



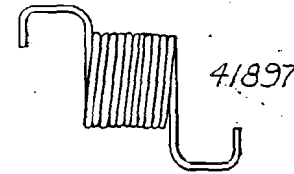


43270

SET SCREW
No. 449



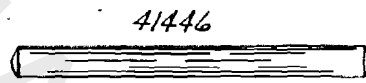
97942



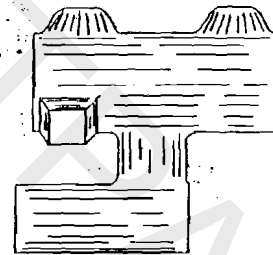
41897



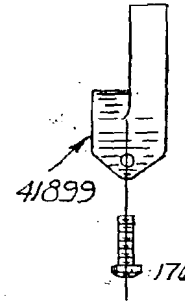
97748



41446

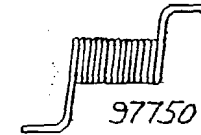


41896



41899

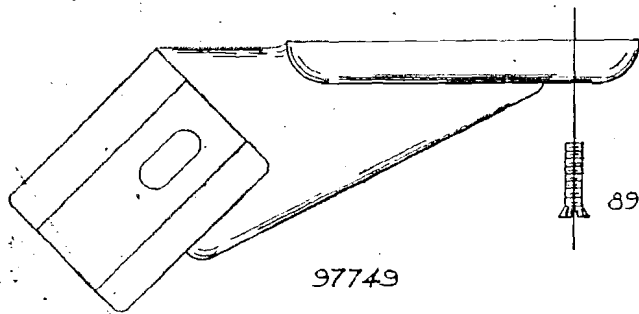
176



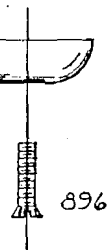
97750



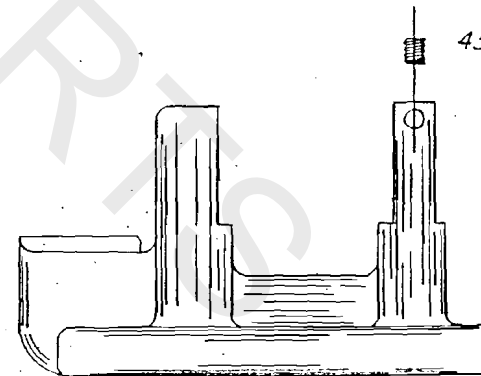
346



97749



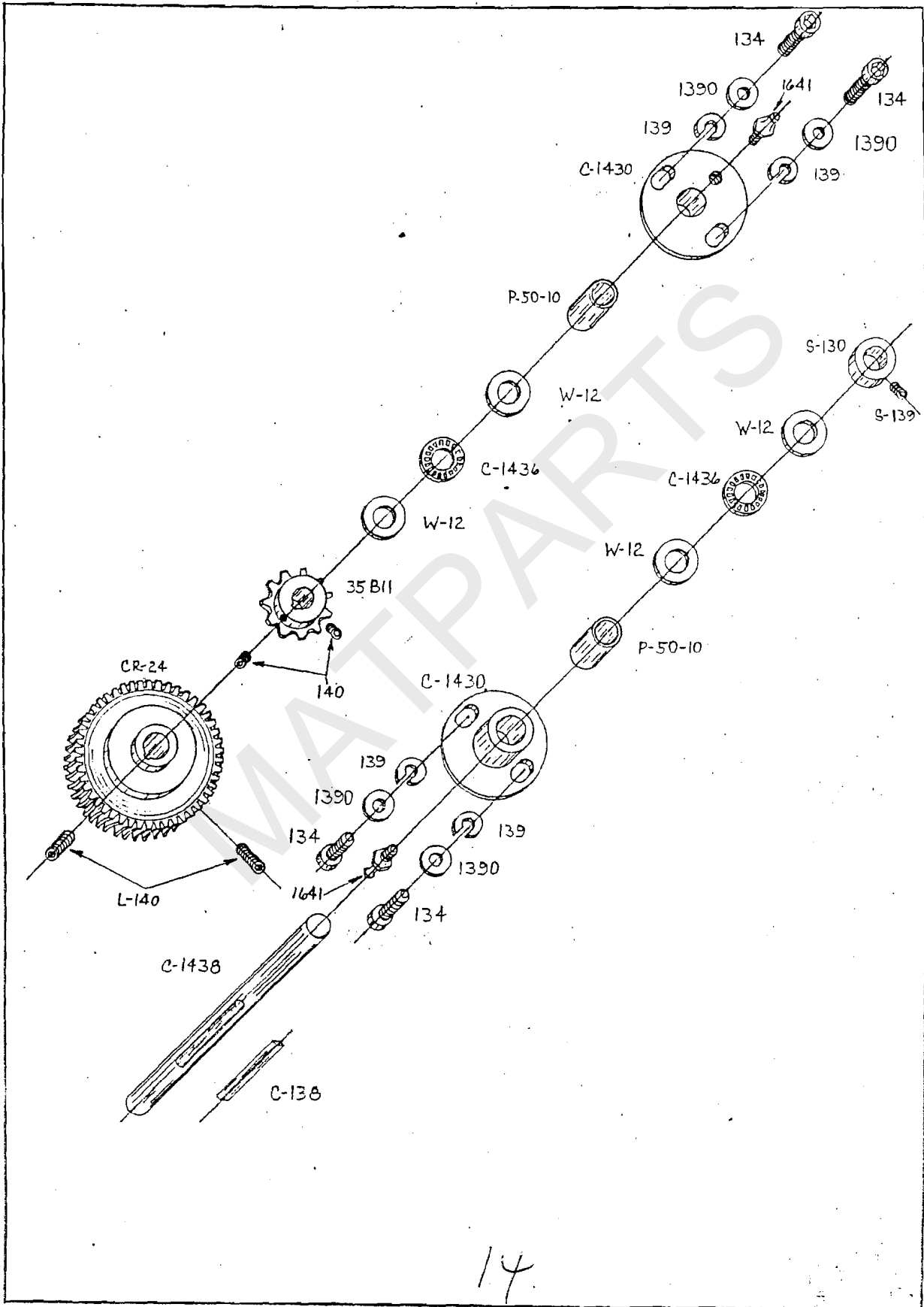
896



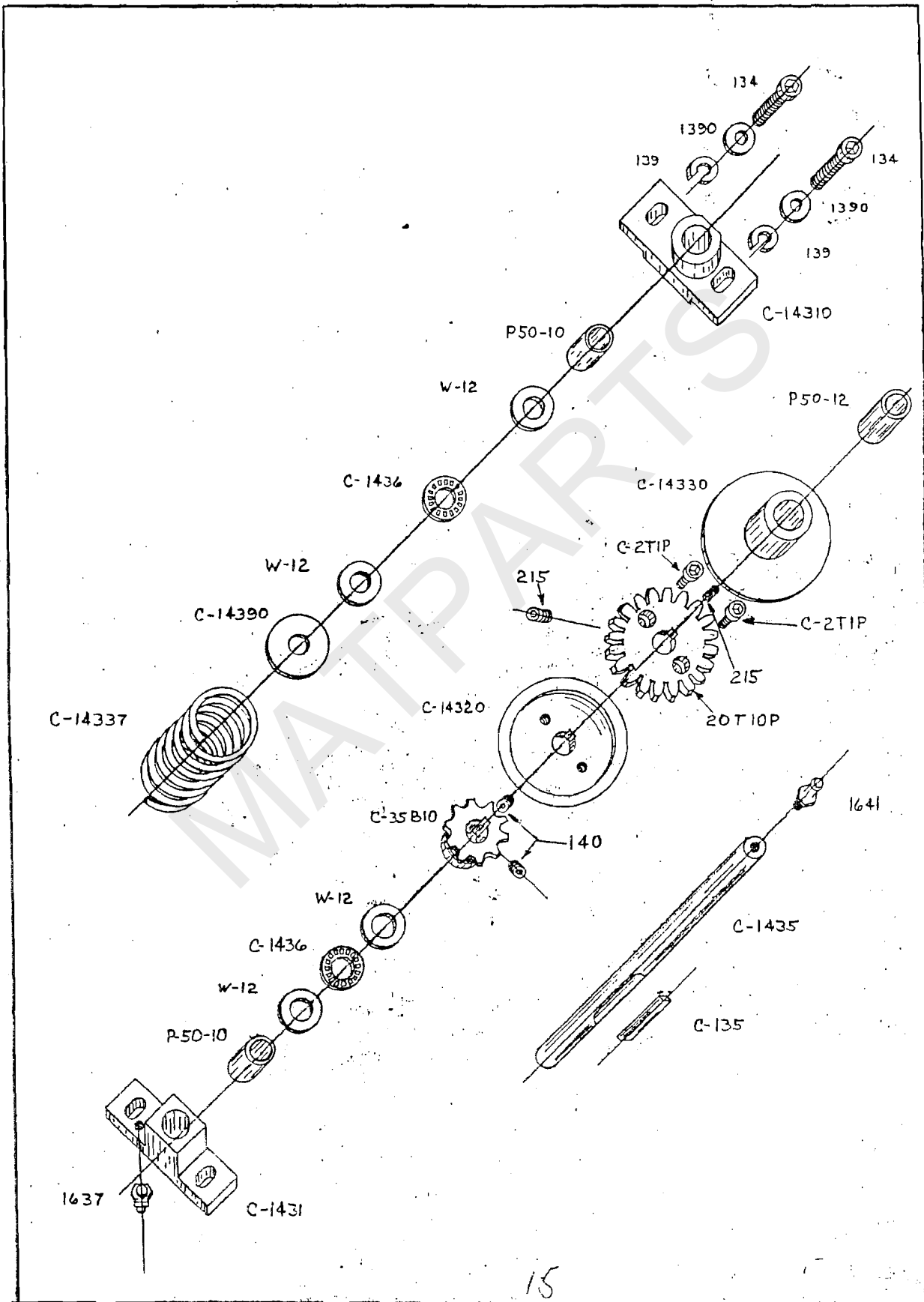
41894

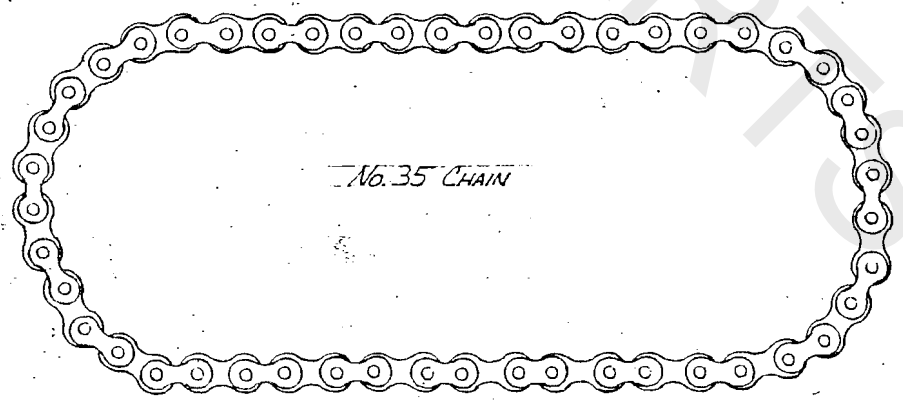
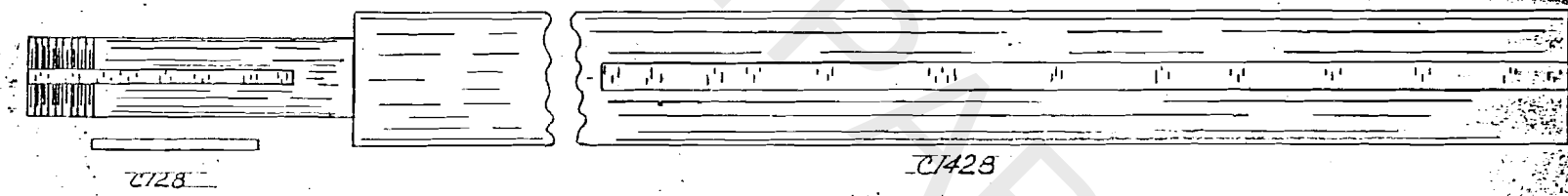
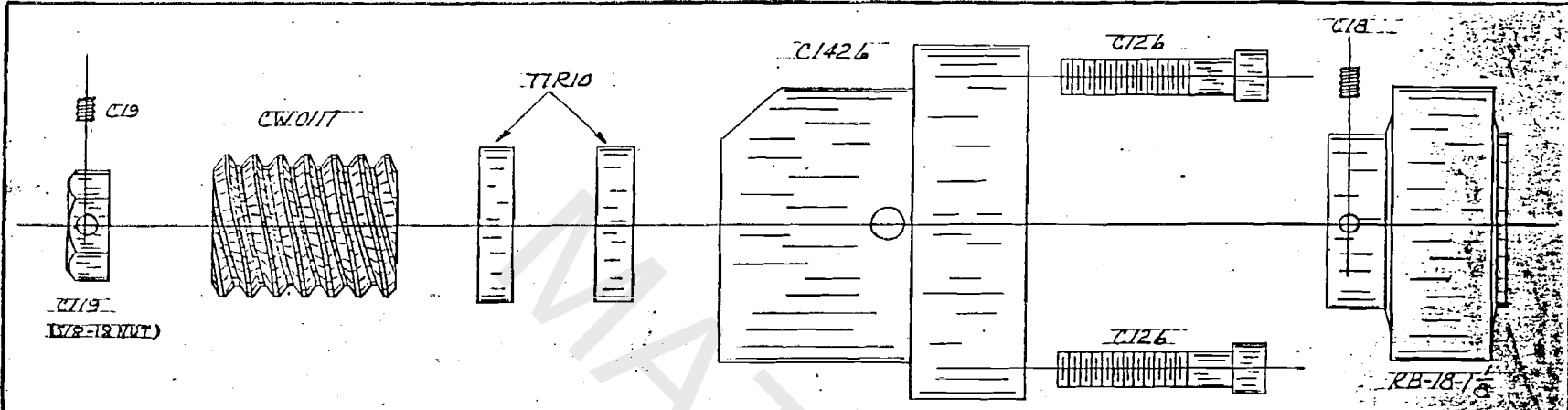
457

18

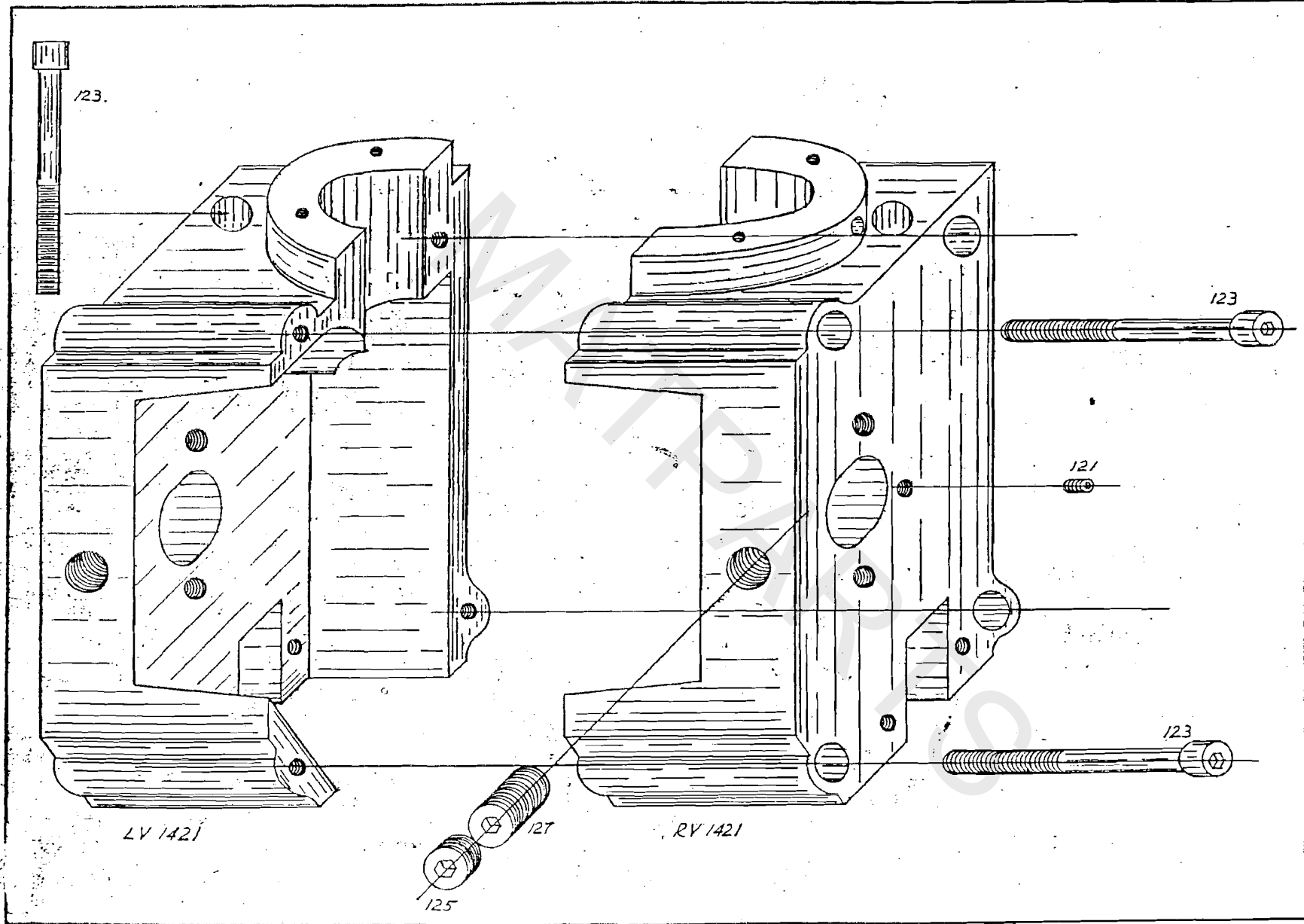


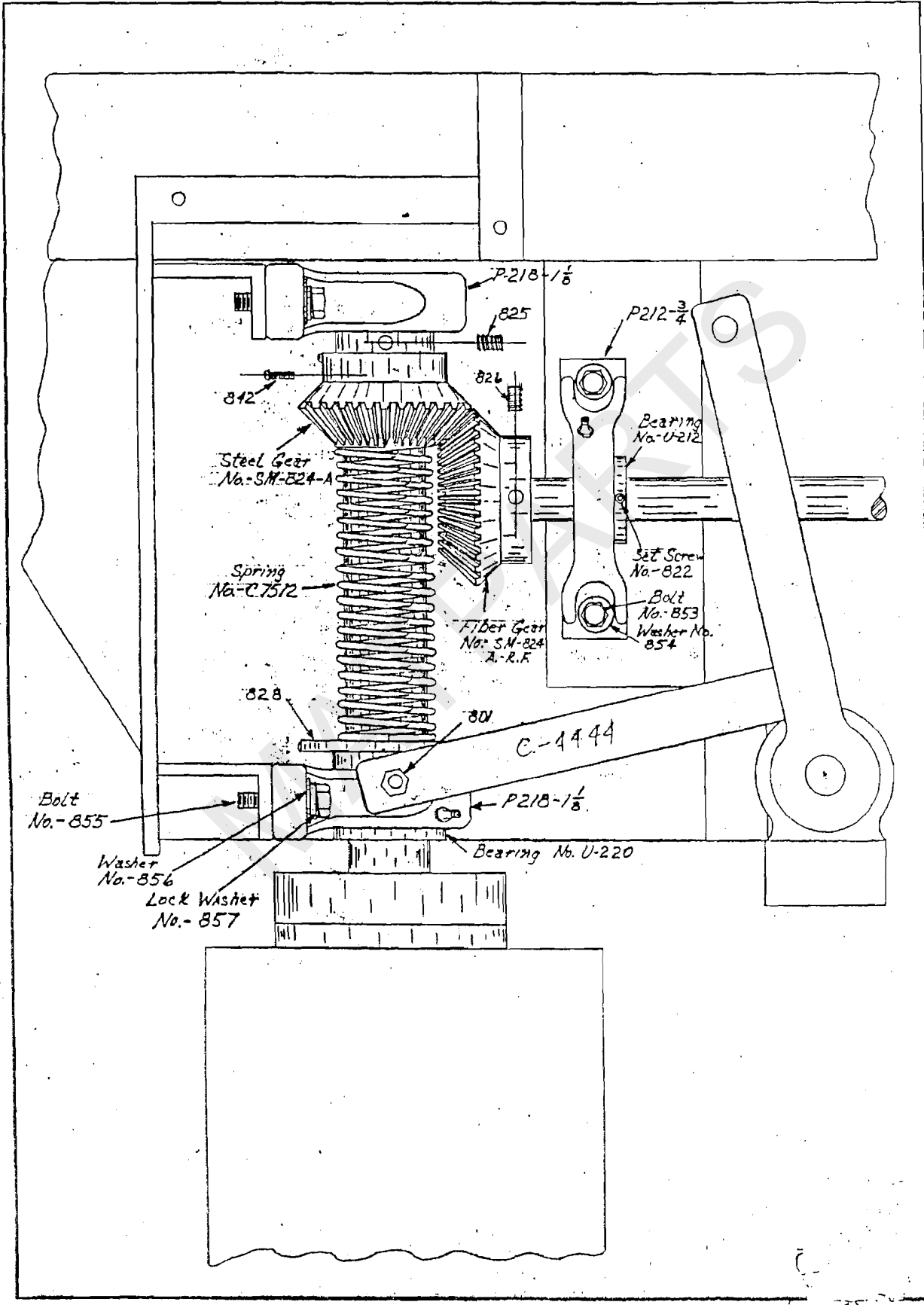
14
 10





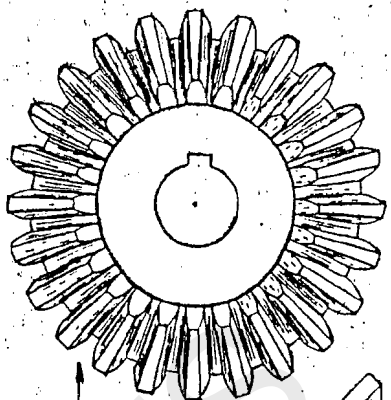
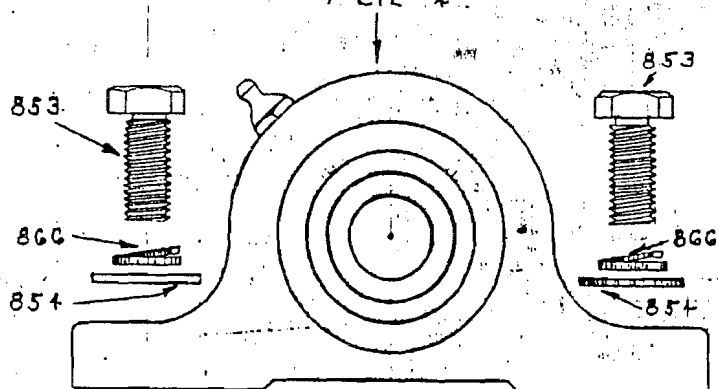
1/1



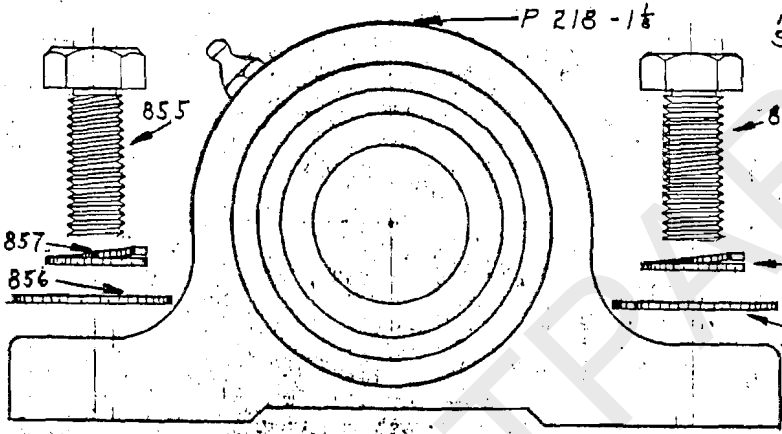


A 3 AV-2

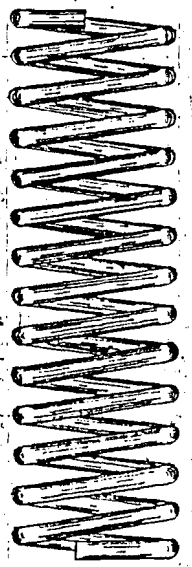
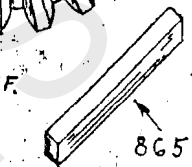
P 212 - $\frac{3}{4}$



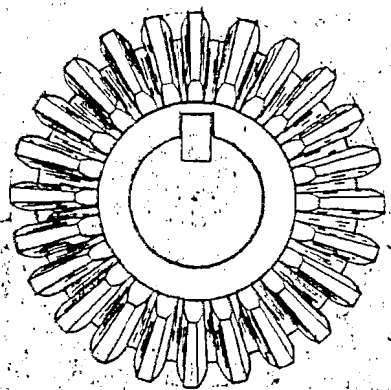
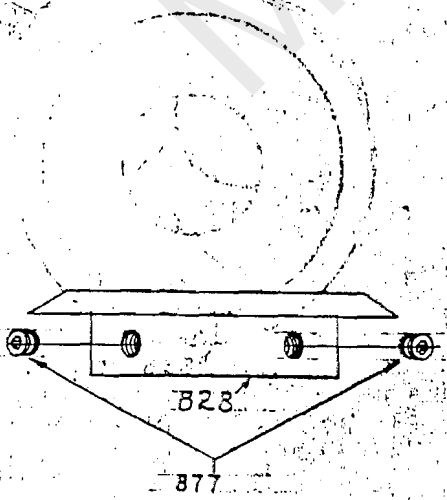
FIBER GEAR
SM-824 A-RF



P 218 - $\frac{1}{8}$

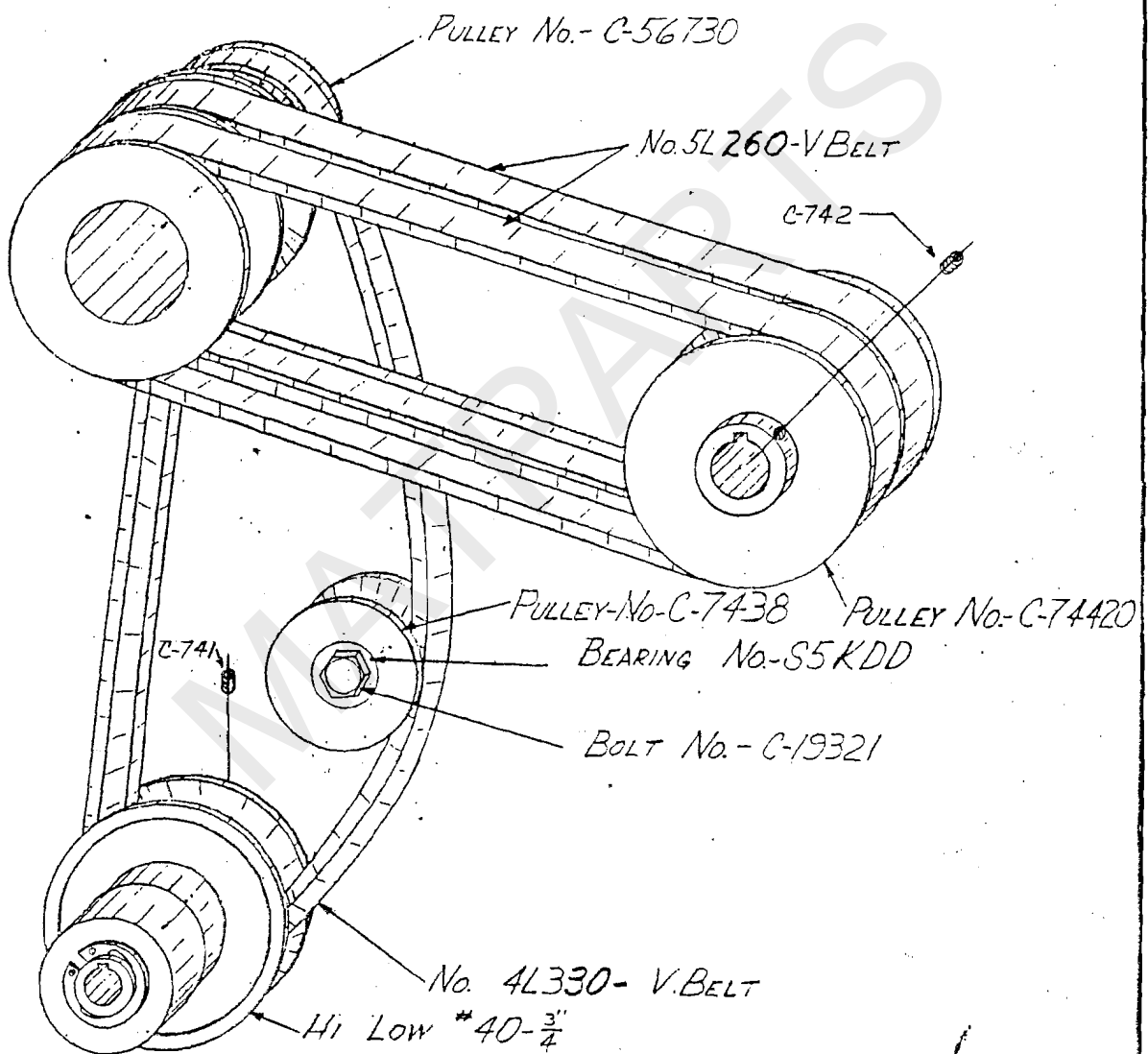


C-7512
(6 1/2\" LONG)

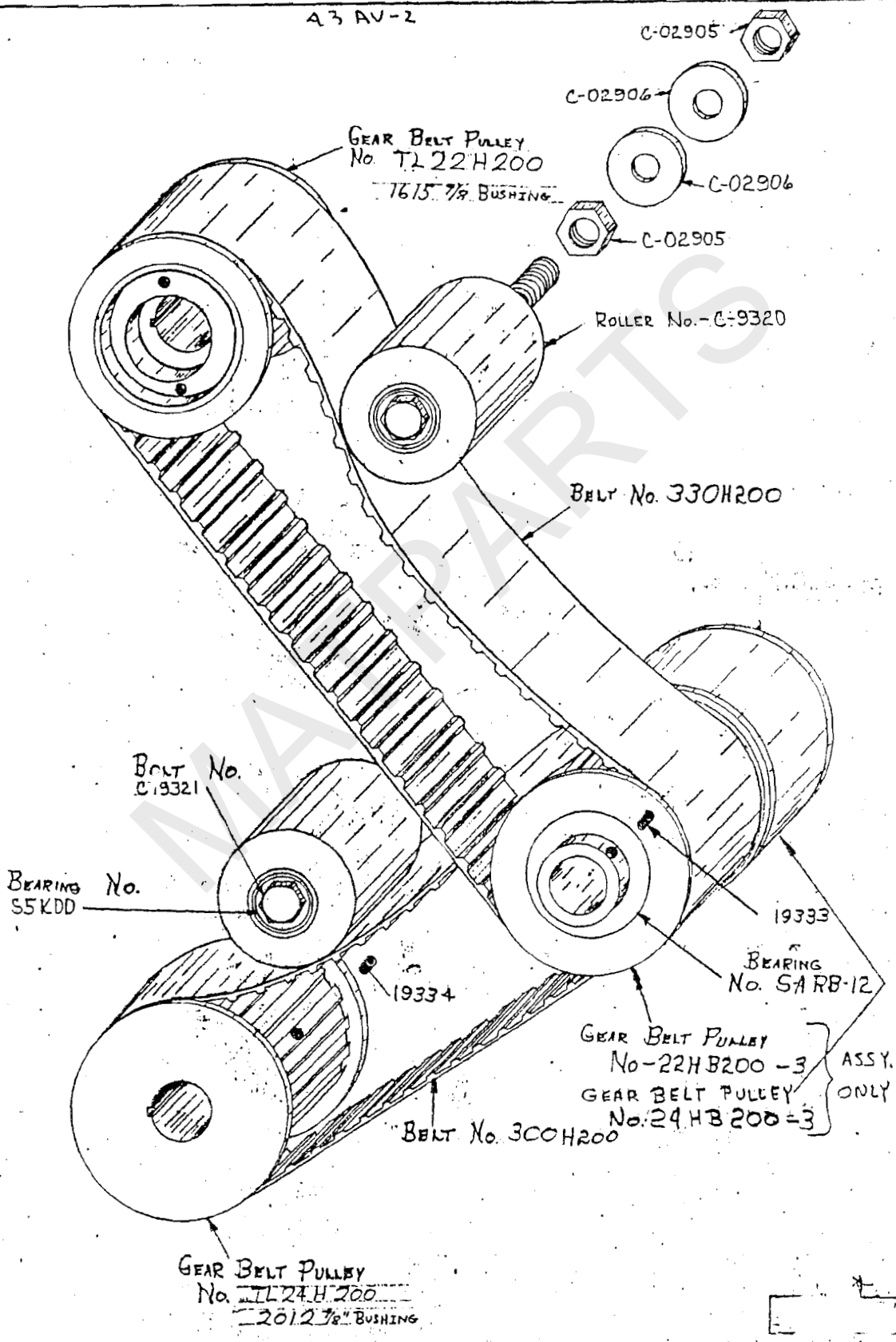


STEEL GEAR
SM-824-A

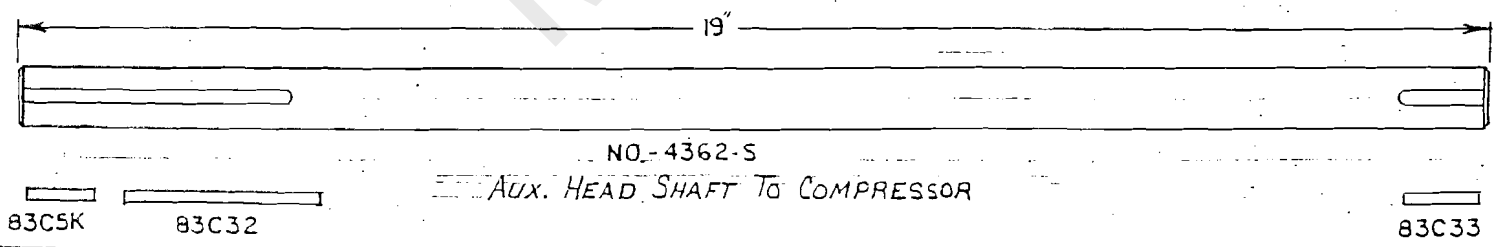
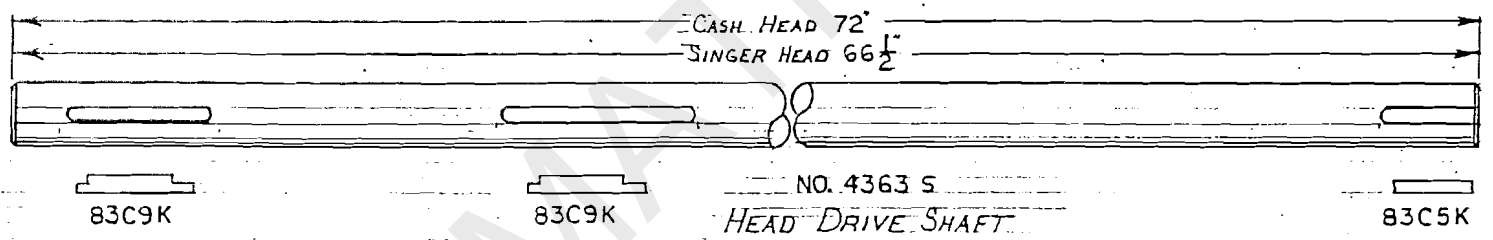
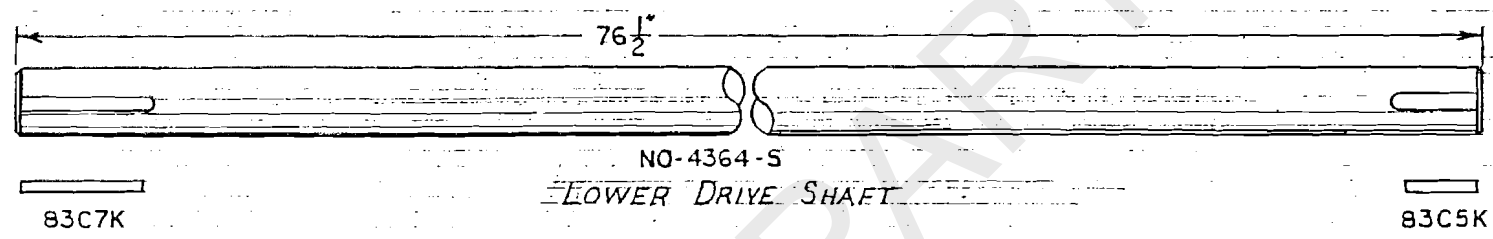
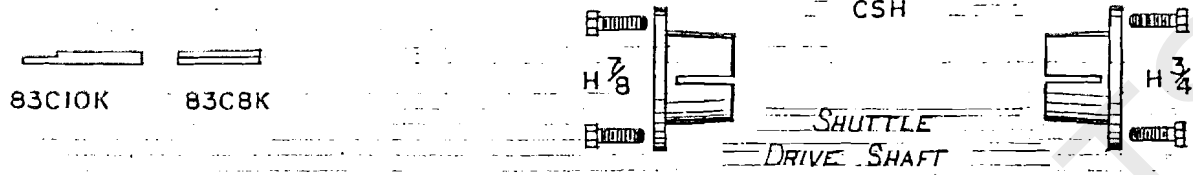
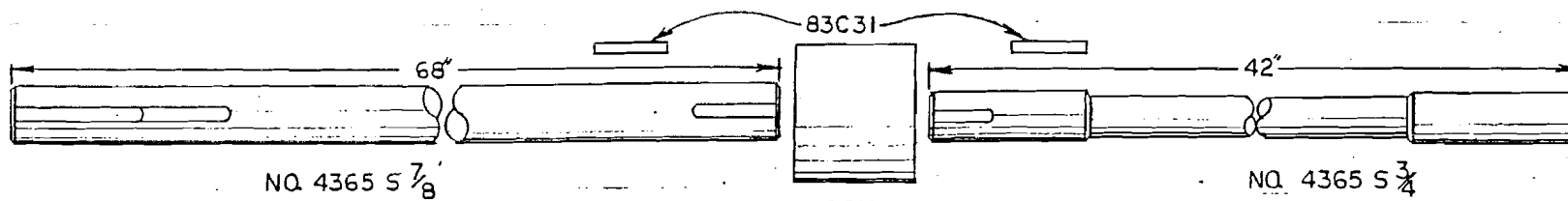
43 AV - 6



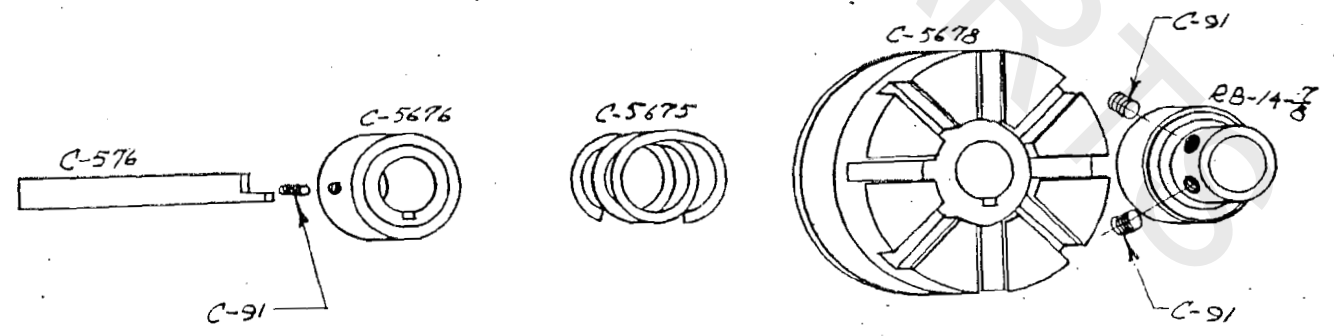
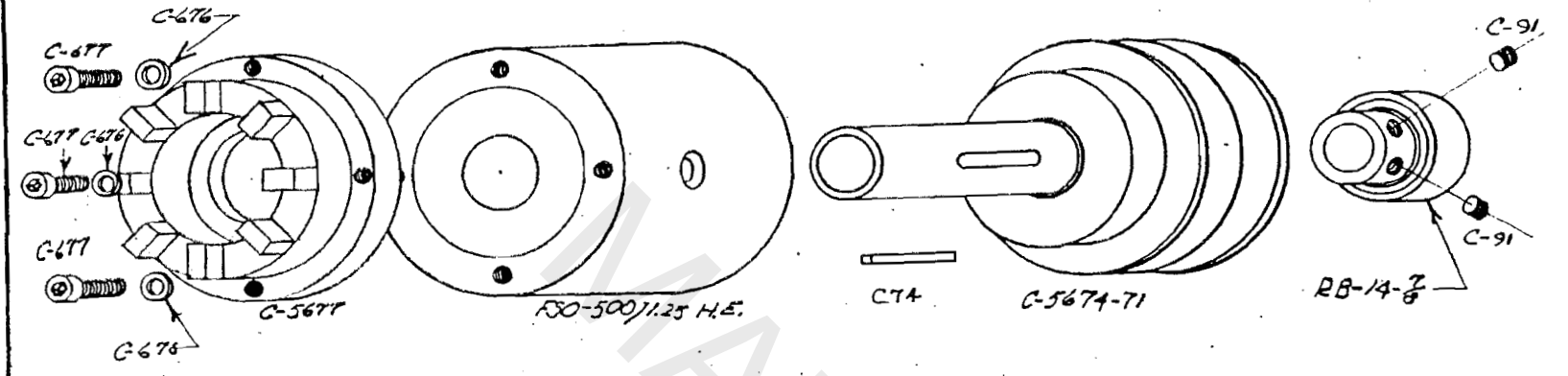
A3 AV-2



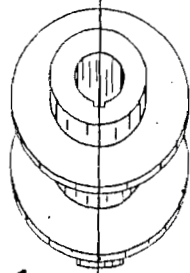
ASSY. ONLY



472



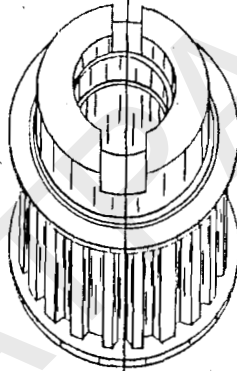
EU



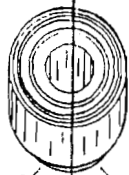
22150-6



S9KDD



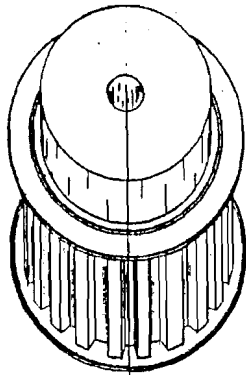
22-HB 150-6-T



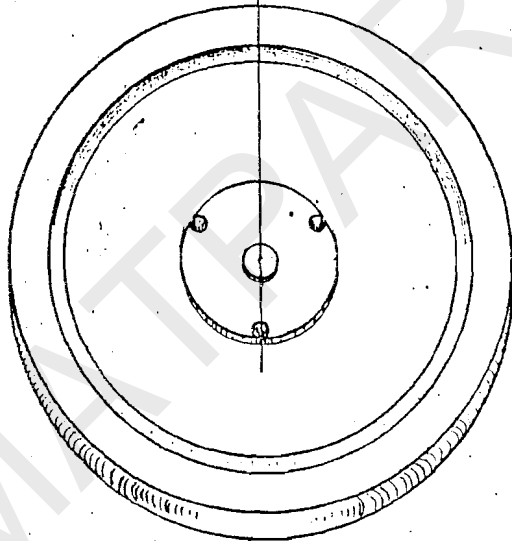
SA-RB-14



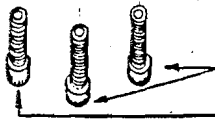
SB-14



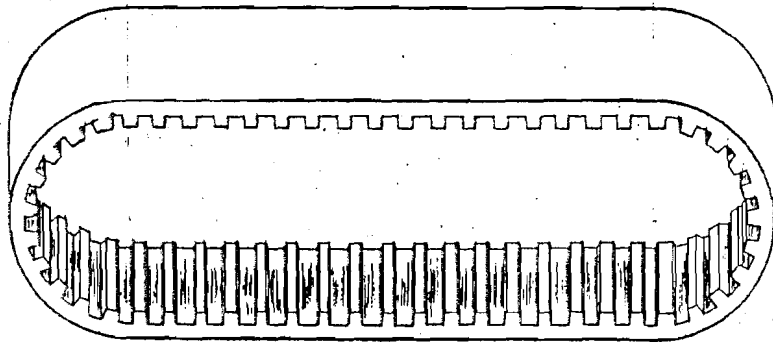
240 H B150-6



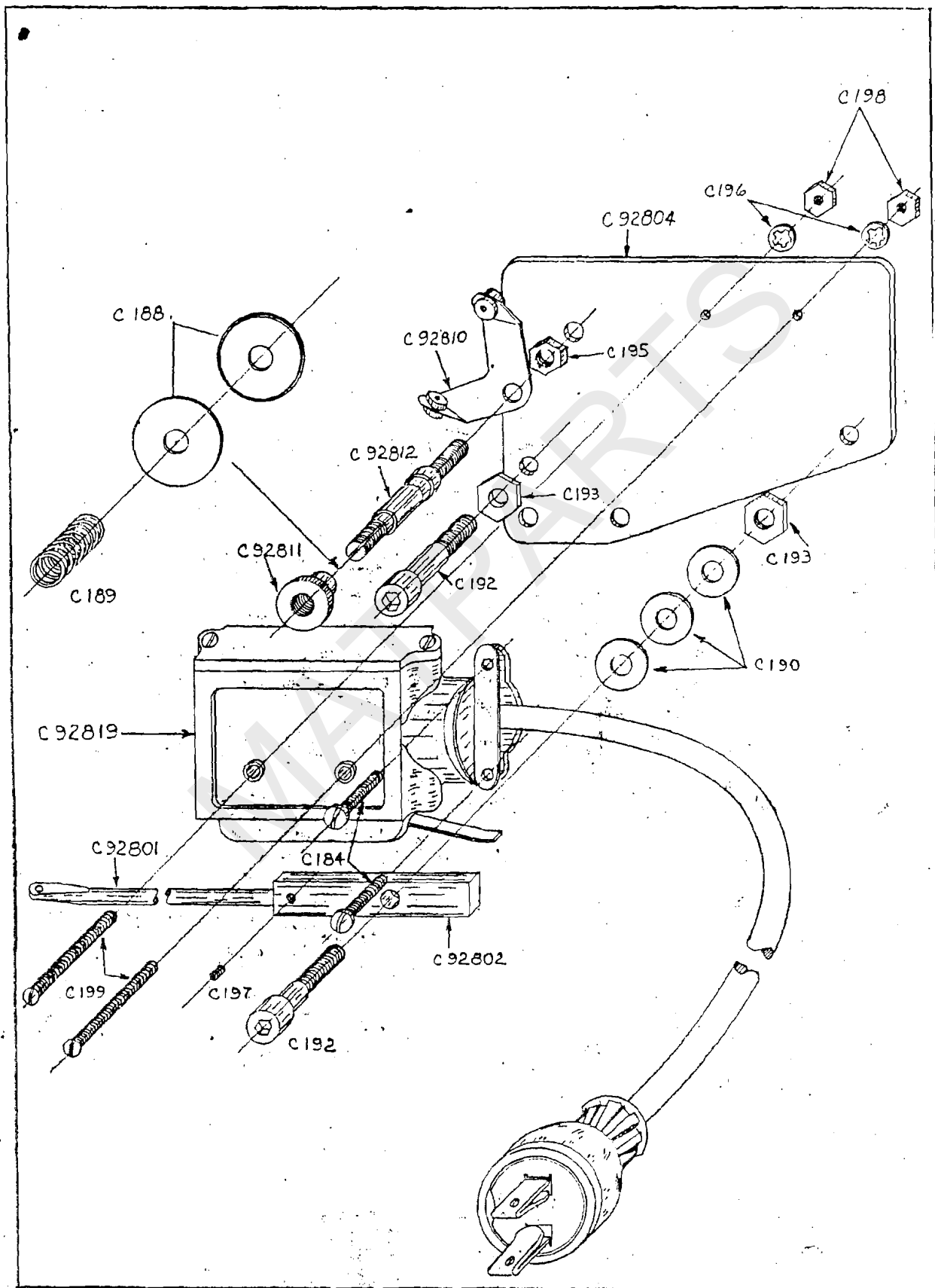
C-75550



C-75551

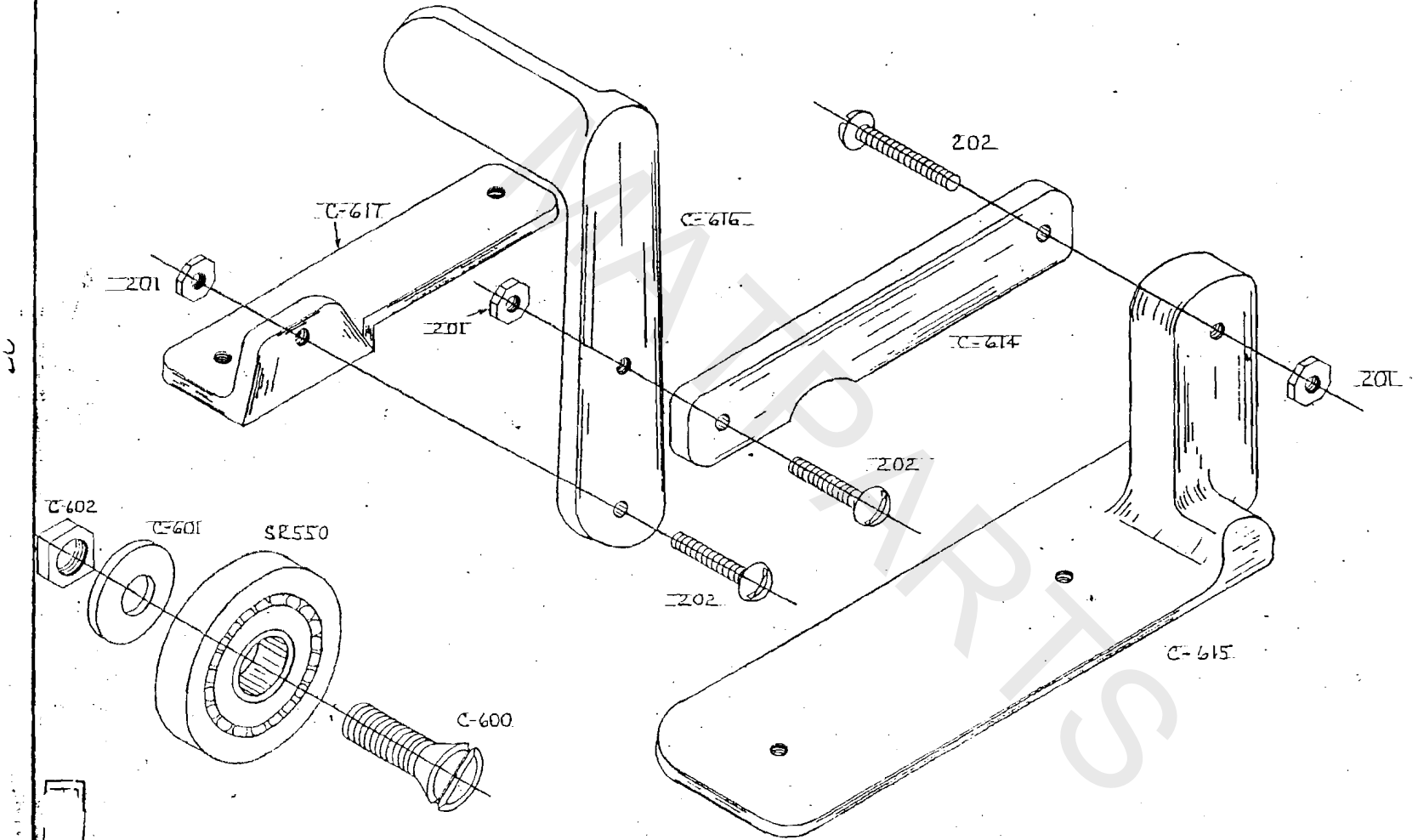


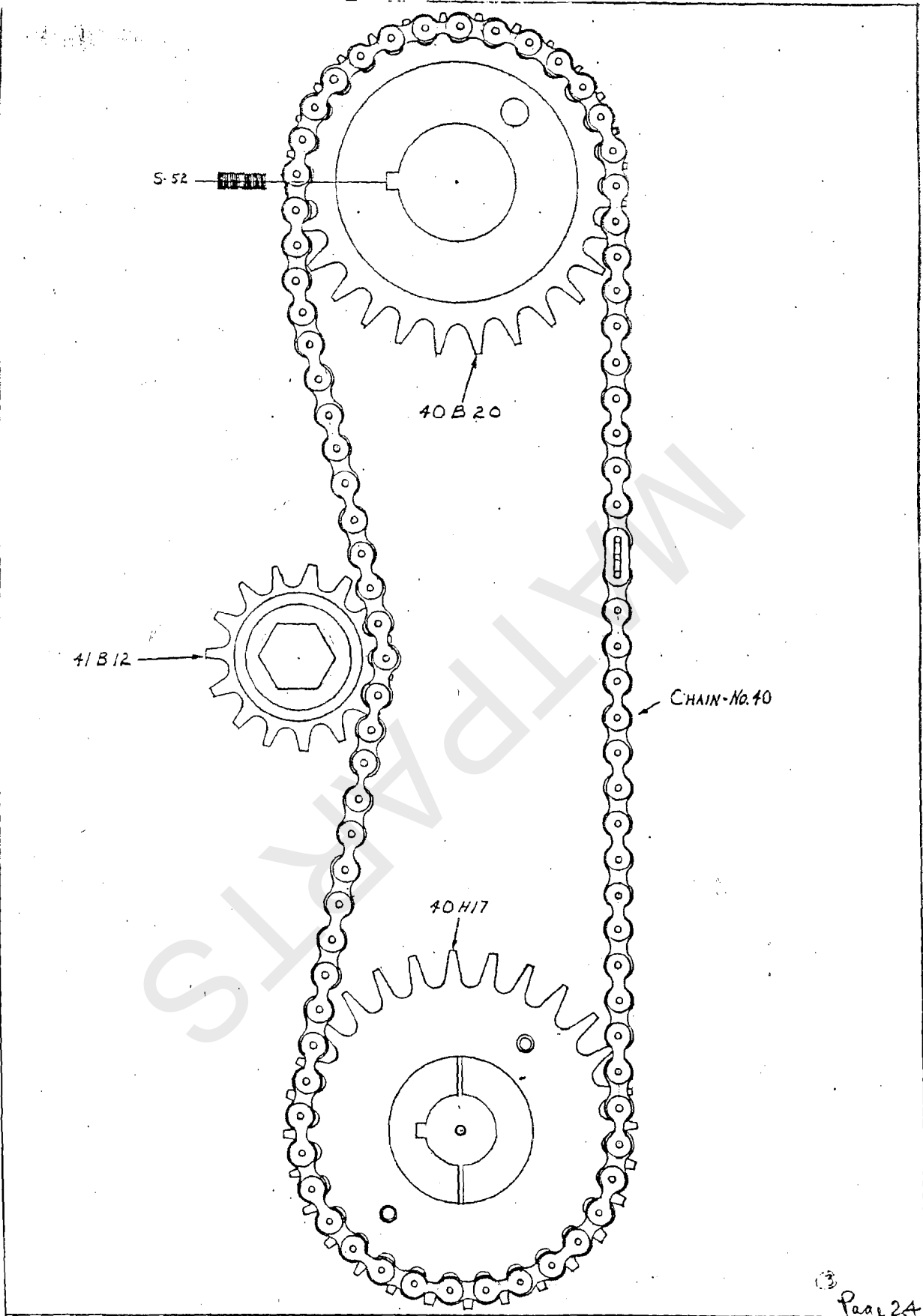
240 H 150

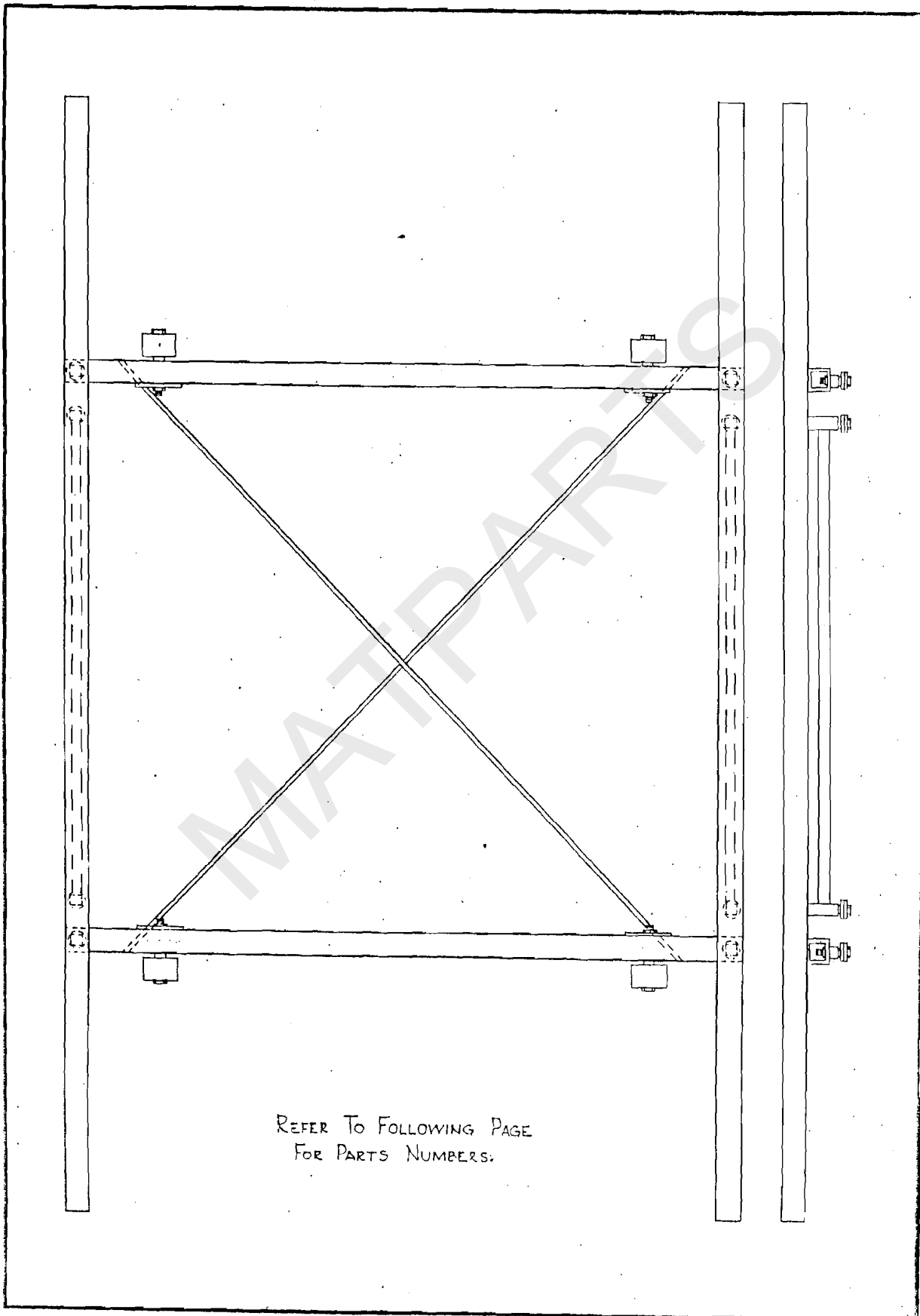


26

43 AV - 2







REFER TO FOLLOWING PAGE
FOR PARTS NUMBERS.

43AV-6

7600

S5KDD

7602

S5KDD

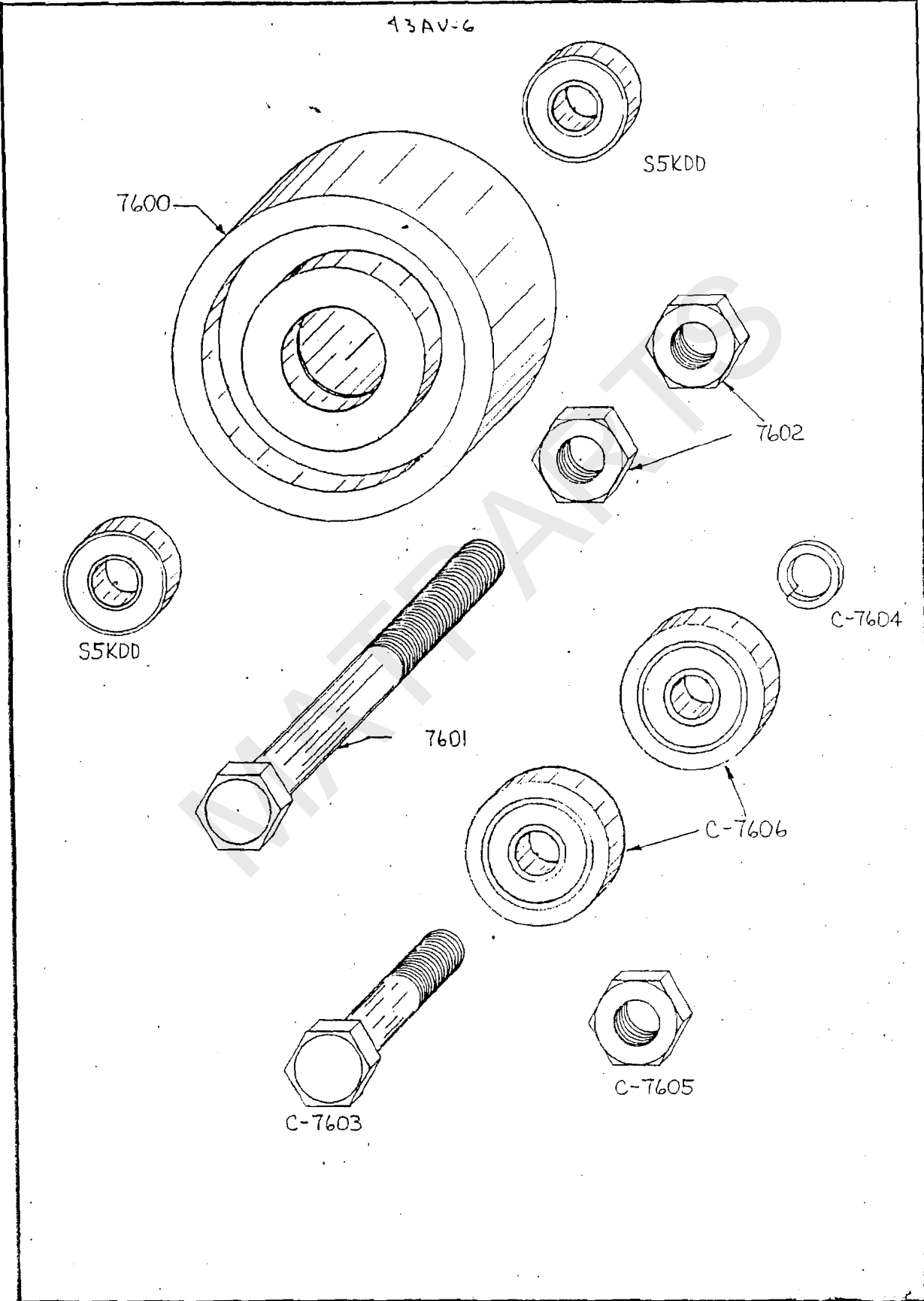
C-7604

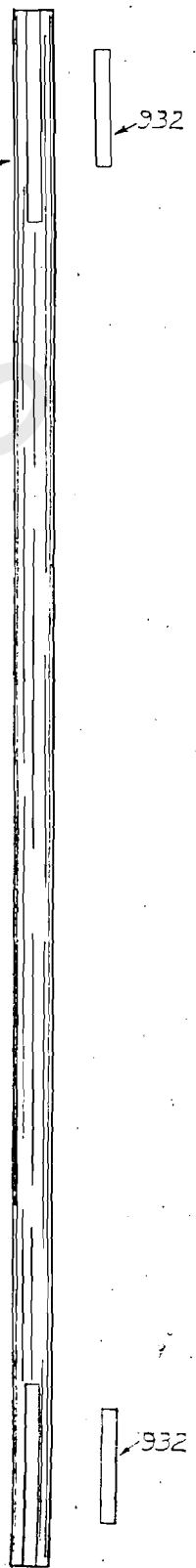
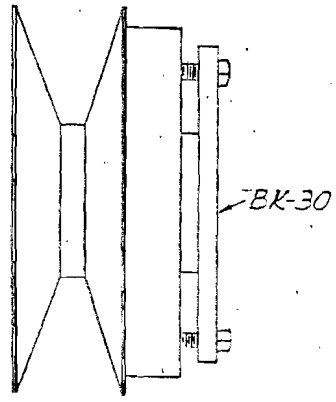
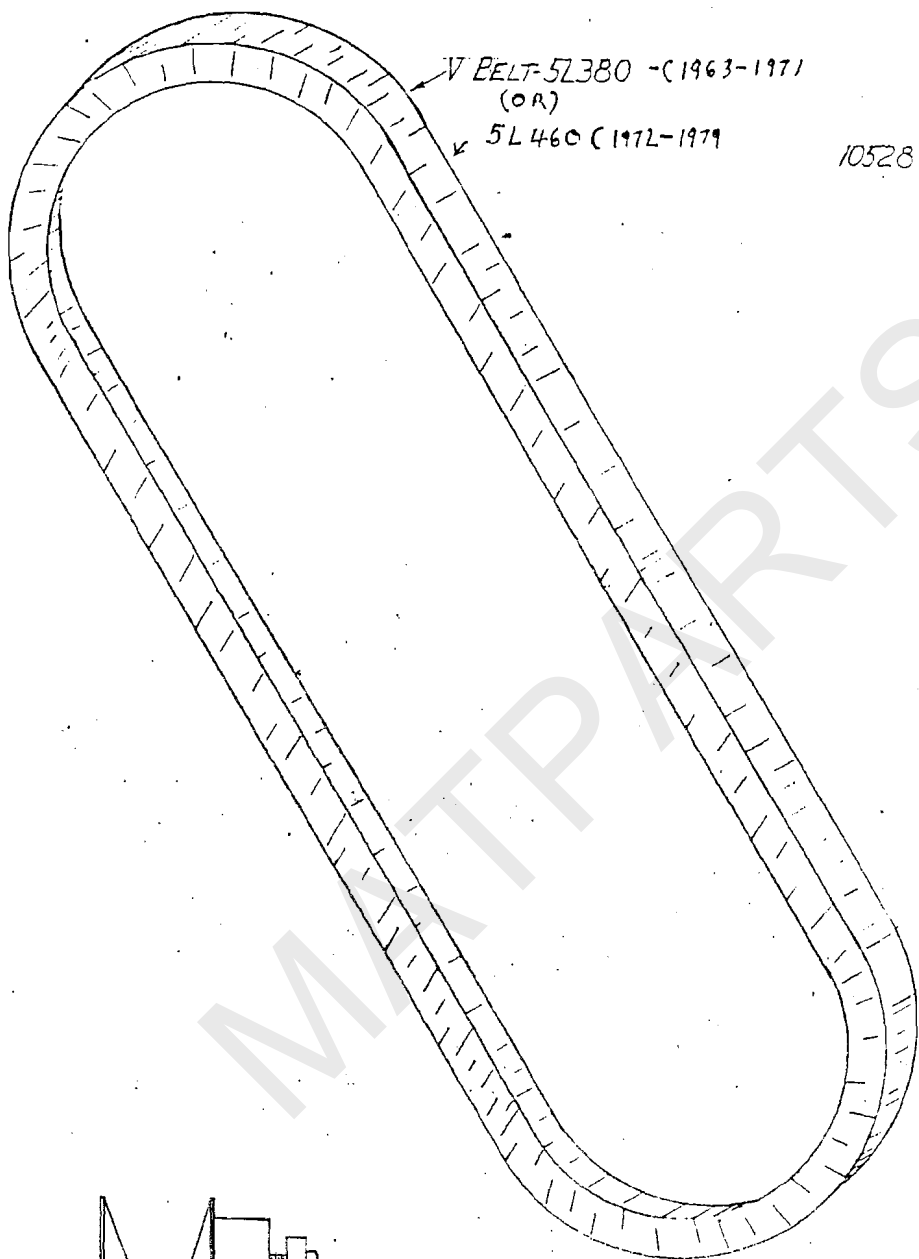
7601

C-7606

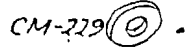
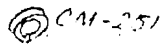
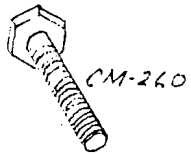
C-7603

C-7605

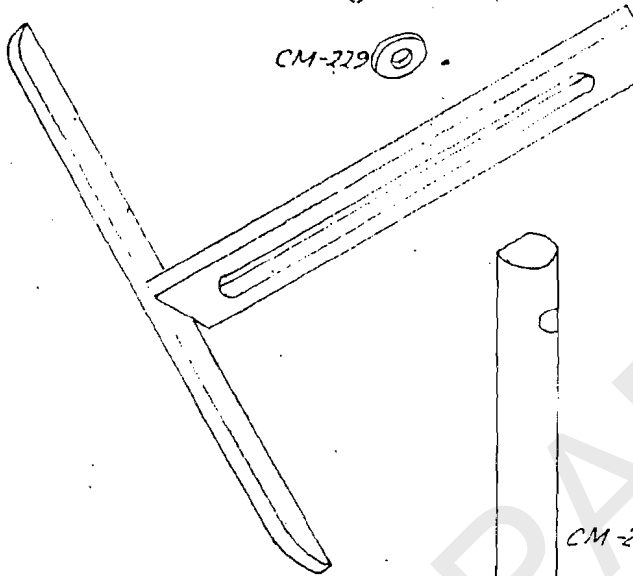




43 AV-2



CM-2211

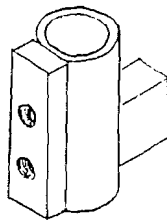
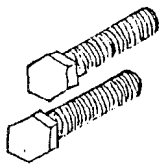


CM-2210

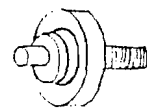


CM-261

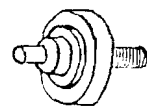
CM261



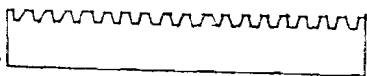
CM-2209



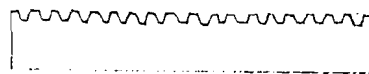
PATTERN PIN $\frac{7}{8}$ "
(INSERTS ONLY)



PATTERN PIN 1"



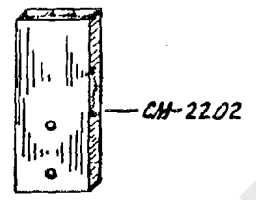
PATTERN TRACK
 $\frac{7}{8}$ " (INSERTS ONLY)



PATTERN TRACK
1"

43 AV-2

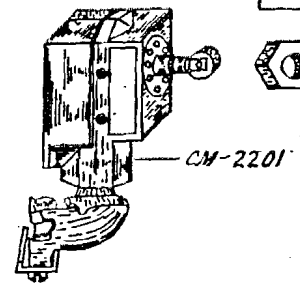
CM-228



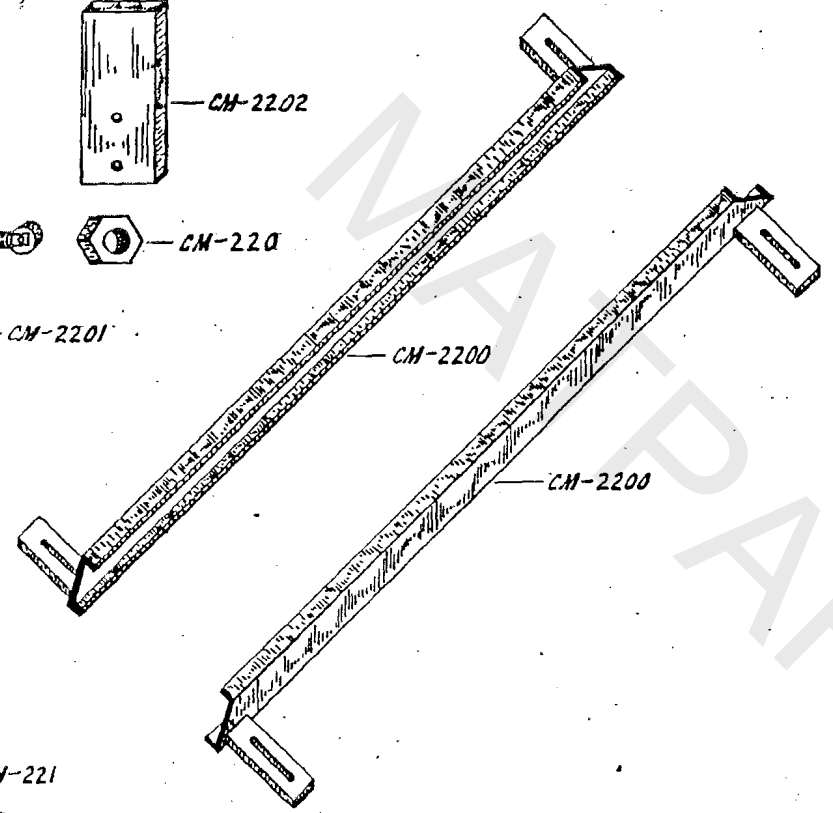
CM-2202



CM-220

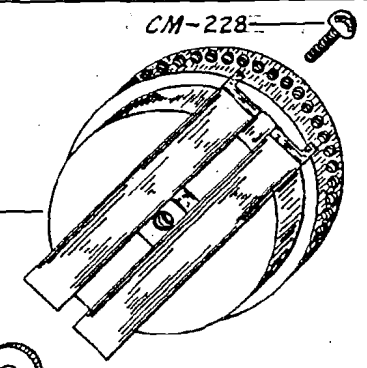


CM-2201

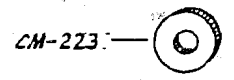


CM-2200

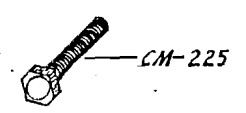
CM-2200



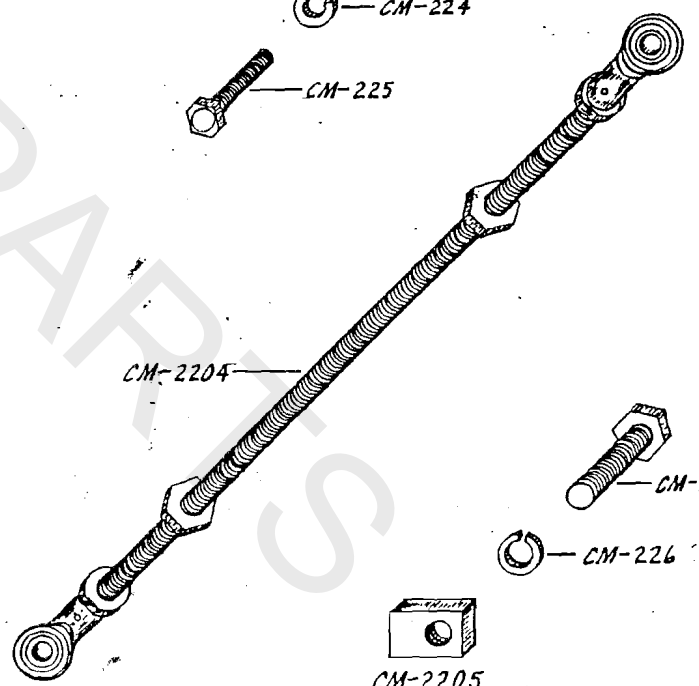
CM-223



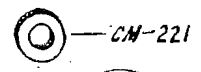
CM-224



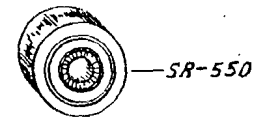
CM-225



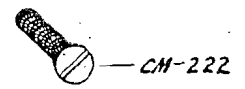
CM-2204



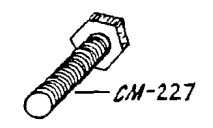
CM-221



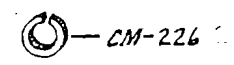
SR-550



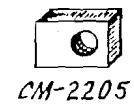
CM-222



CM-227

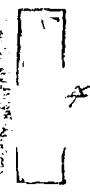


CM-226

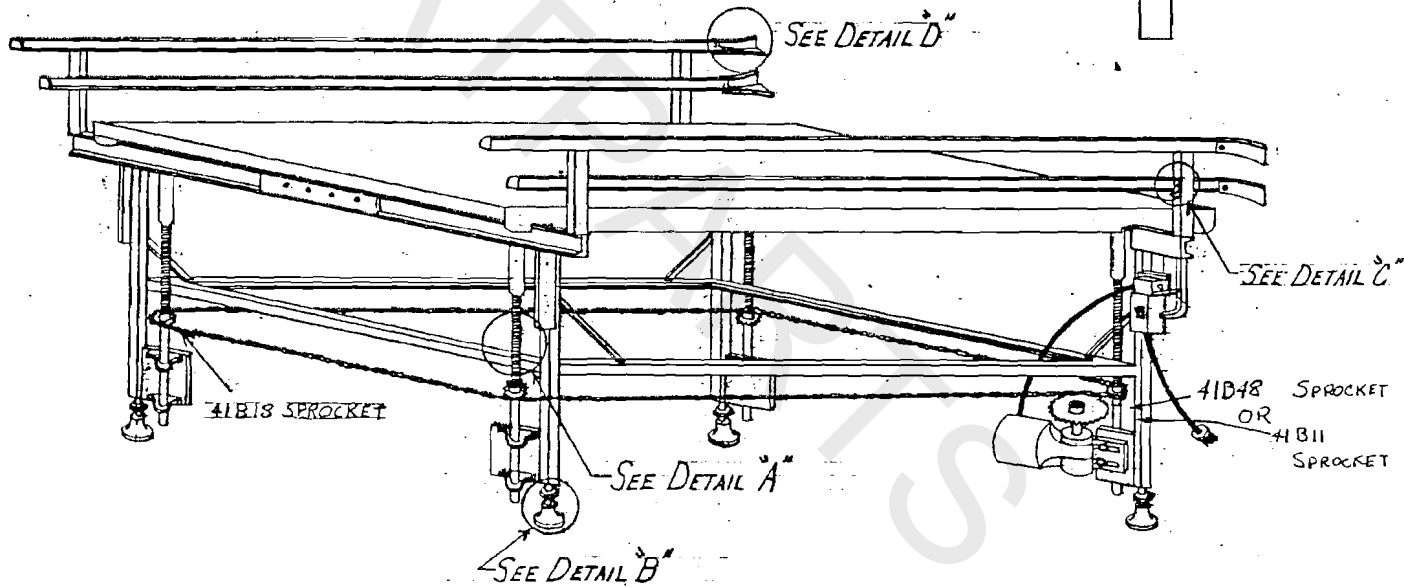
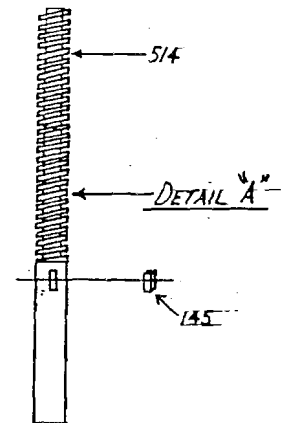
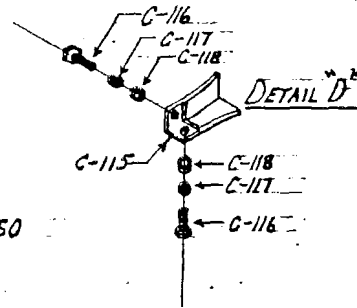
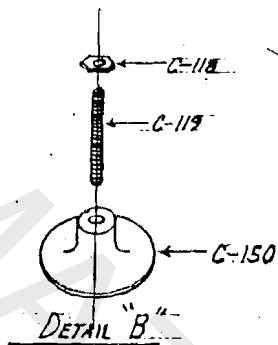
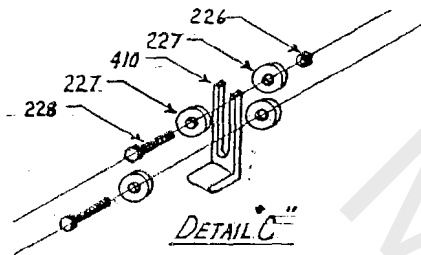


CM-2205

23

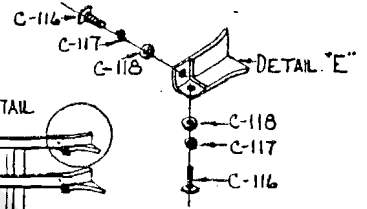
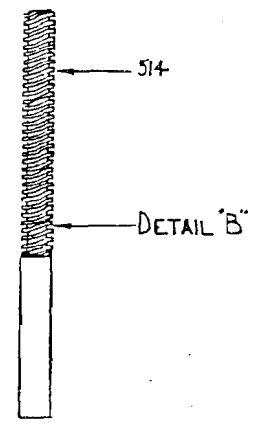
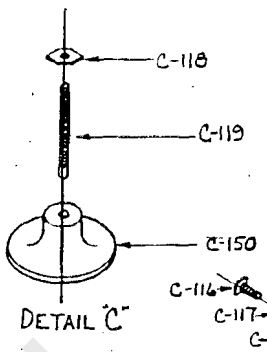
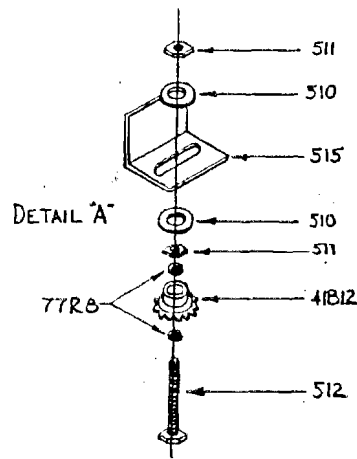


43 AV-2

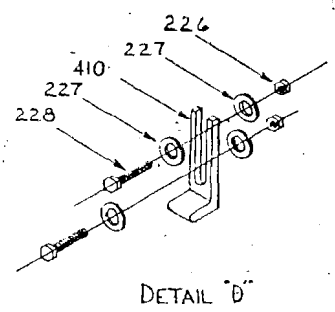


NEW STYLE TABLE

713



BOLT No. 225



SEE DETAIL "A"

NOTE:
4-1101 4-SPROCKETS
8-5K1040 No. 41B18

SET COLLAR

SEE DETAIL "B"

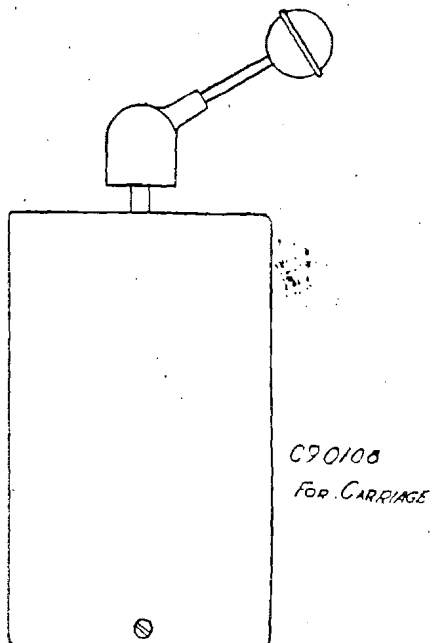
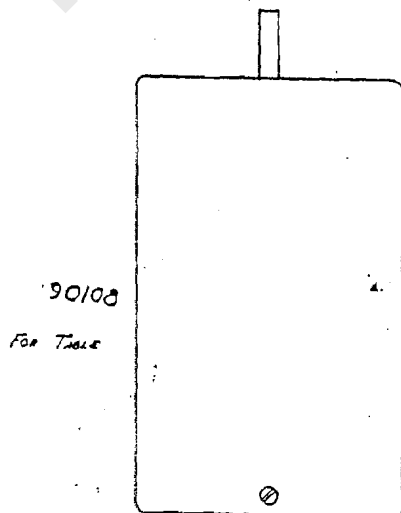
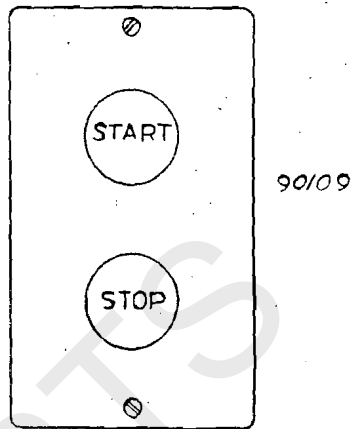
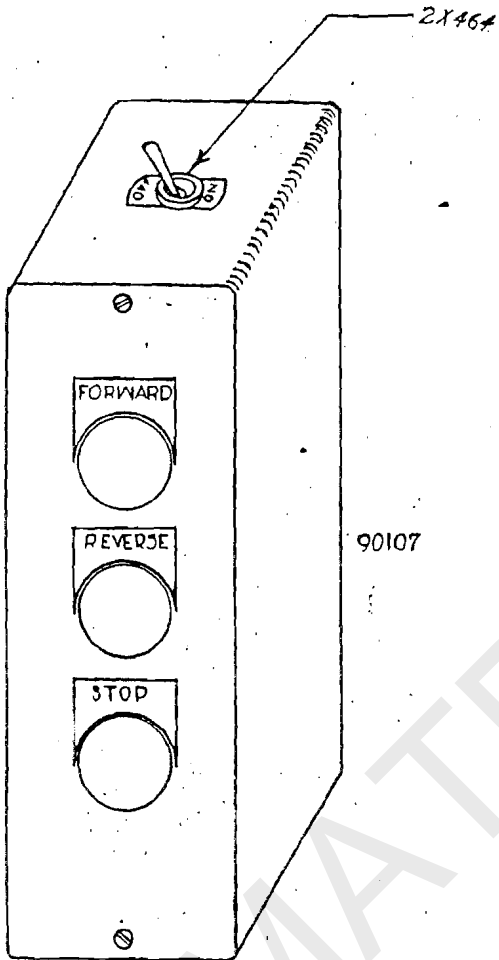
SPROCKET No. 41B10

SEE DETAIL "C"

SEE DETAIL "D"

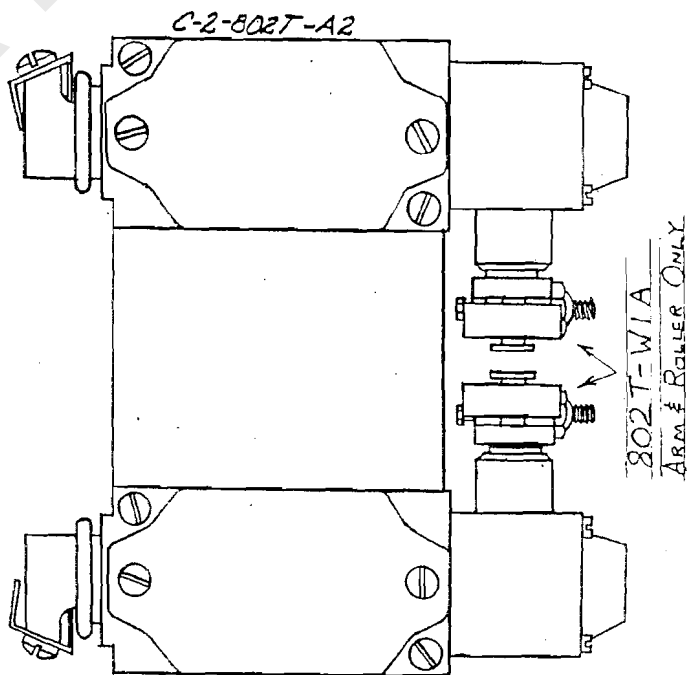
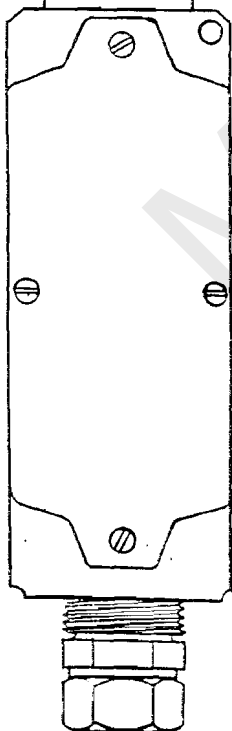
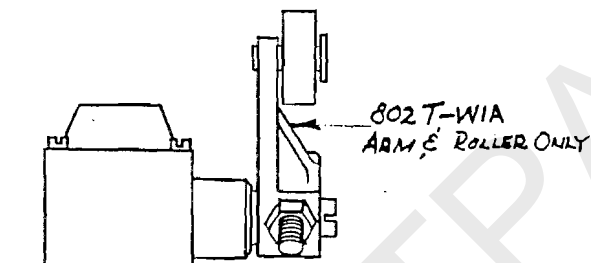
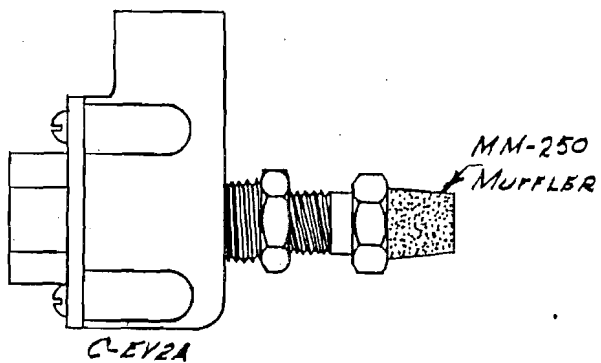
SPROCKET No. 41B36

OLD STYLE TABLE



43 AV-6

C-10316H10D



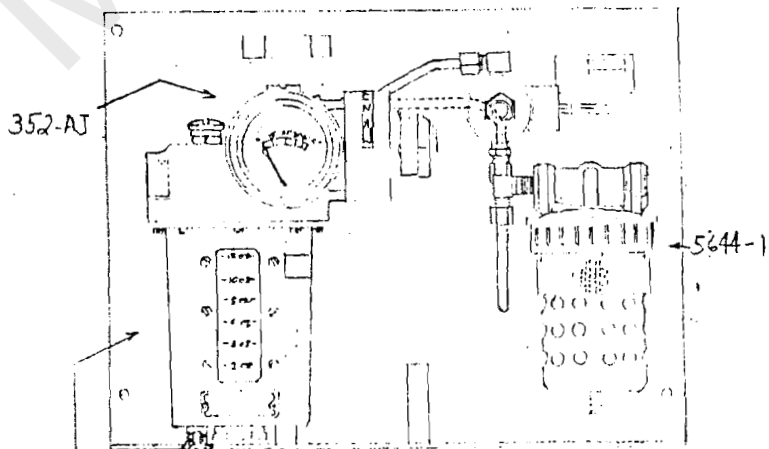
C-802T-A7

C-1-802T-A2

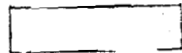
43AV216

X-2 COMPRESSOR
1BQEV AIR VALVE
3030104 DIAPHRAM
CR115A30 VANE SWITCH

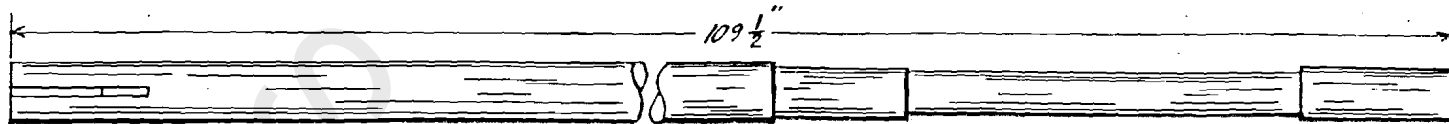
OIL MIST COMPLETE
4955-06



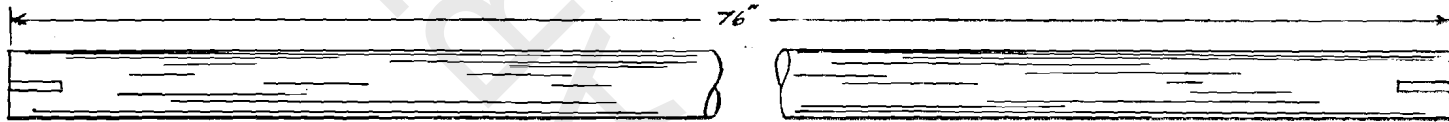
WHEN ORDERING
SOLENOID
&
COIL
SPECIFY VOLTAGE



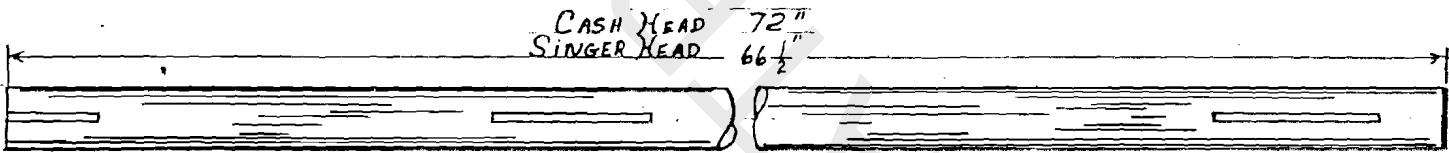
43 AV-6 & 43 AV-2



SHUTTLE DRIVE SHAFT
NO. - 4365-S

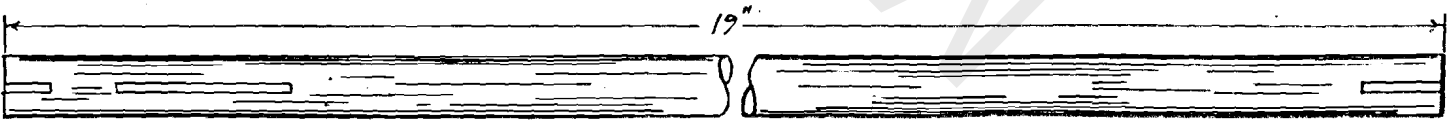


LOWER DRIVE SHAFT
NO. - 4364-S



CASH HEAD 72"
SINGER HEAD 66 1/2"

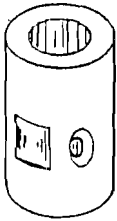
HEAD DRIVE SHAFT
NO. - 4363-S



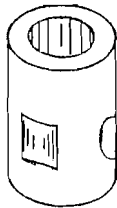
AUX. HEAD SHAFT TO COMPRESSOR
NO. - 4362-S

39

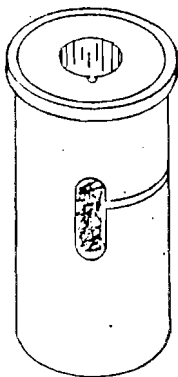
43 NV-C



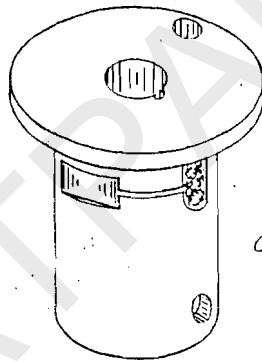
98594



103112

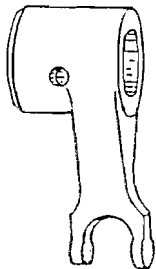


97925



C-97923

103111



58449



98450



417